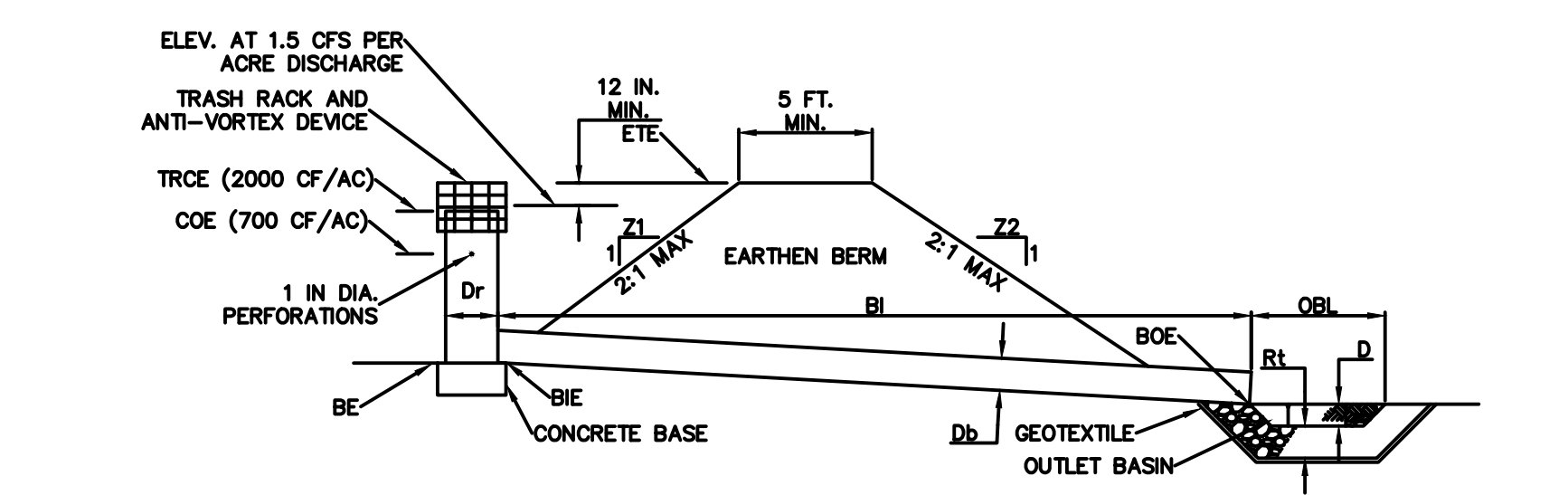
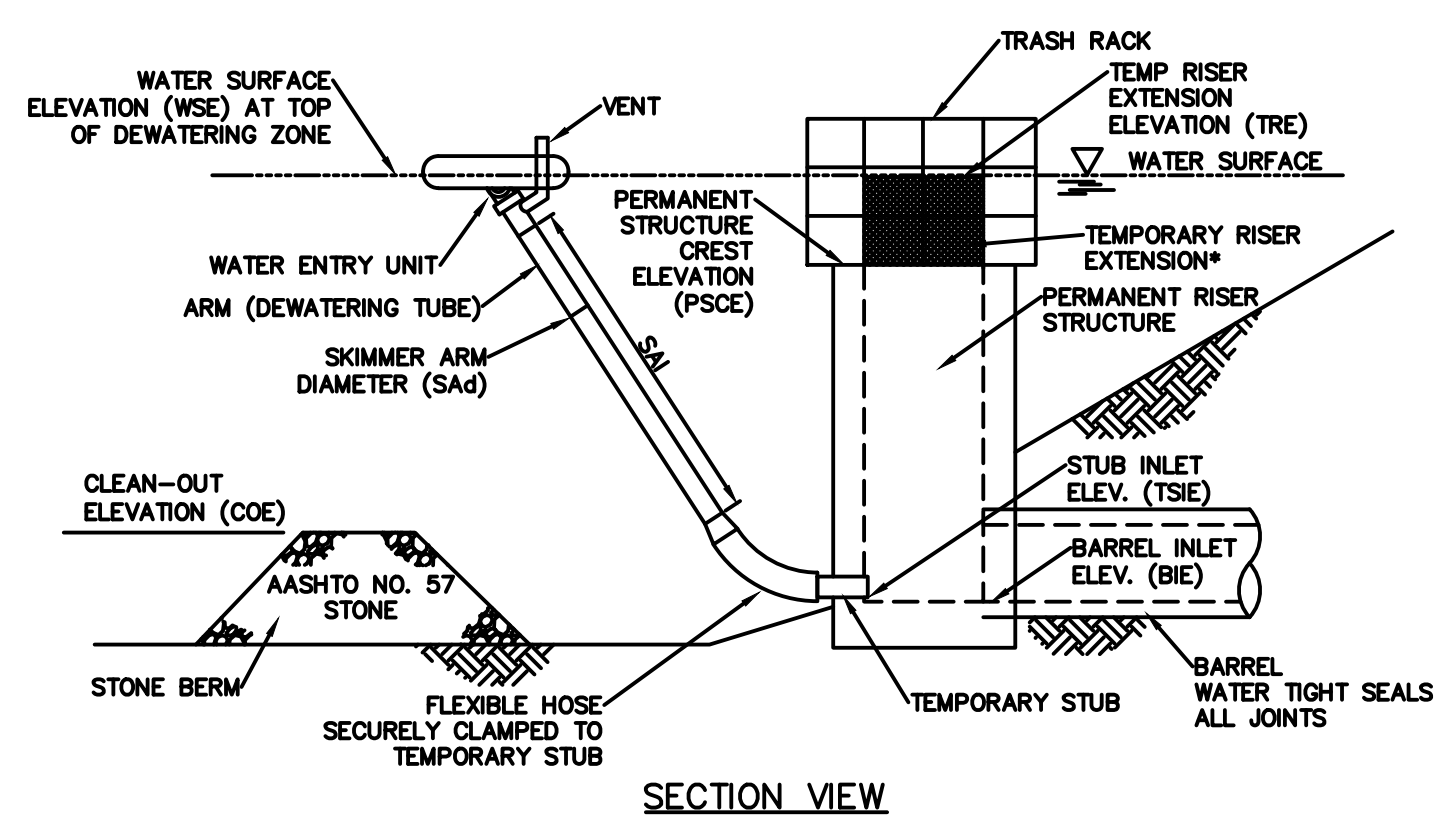


PRELIMINARY
NOT FOR
CONSTRUCTION
8/31/18



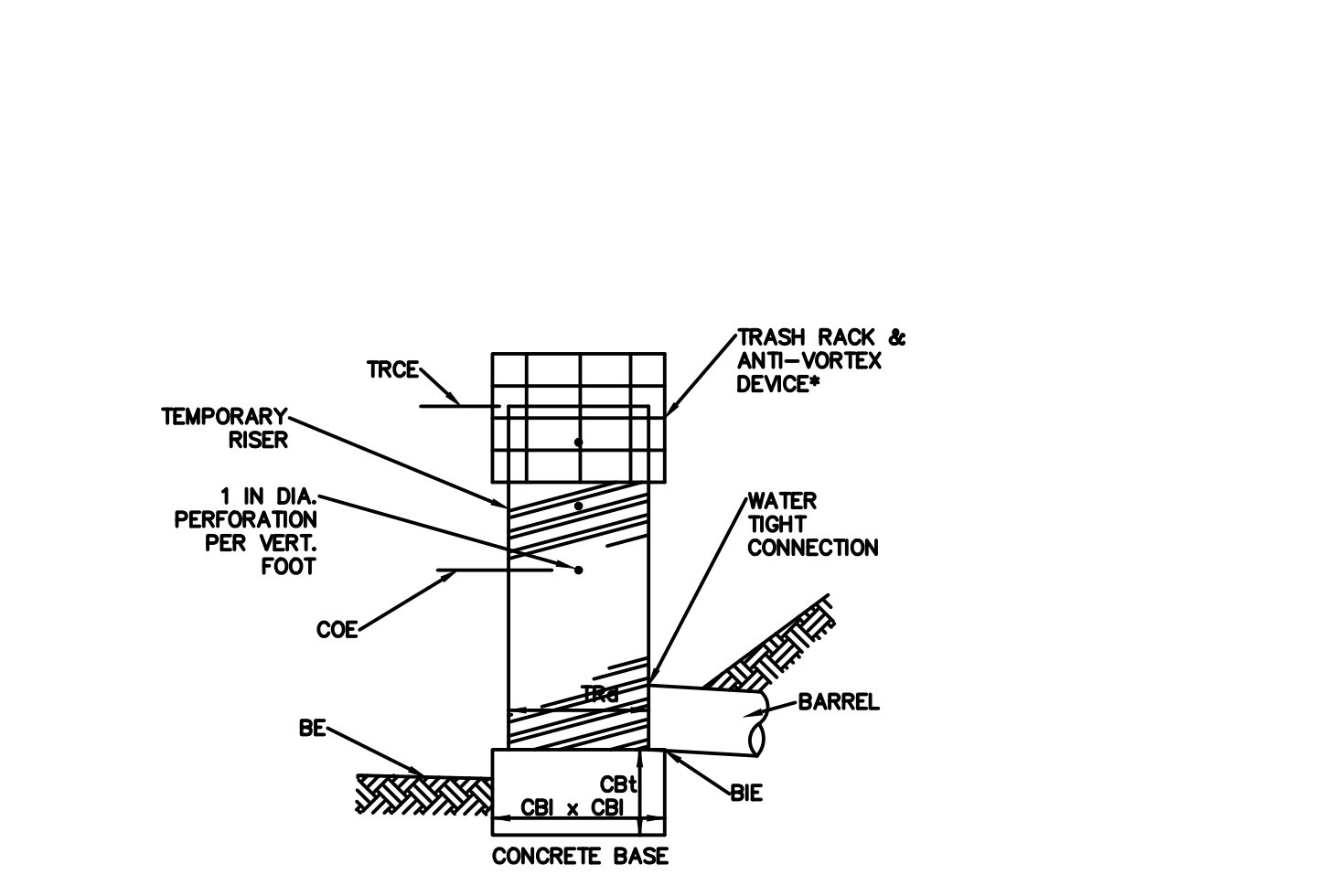
TRAP NO.	Z1 (FT)	Z2 (FT)	MATL	DIAM (IN)	CREST ELEV (FT)	BOT PERF ELEV (FT)	DIAM (IN)	INLET ELEV (FT)	LENGTH (FT)	OUTLET BOE (FT)	TOP ELEV (FT)	TOP WIDTH (FT)	CLEAN OUT ELEV (FT)	BOTTOM ELEV (FT)



BASIN NO.	WATER SURFACE ELEV. WSE (FT)	SKIMMER				FLEXIBLE HOSE		
		ORIFICE DIA. (IN)	HEAD (FT)	DIAM (IN)	LENGTH (FT)	DIA. (IN)	LENGTH (IN)	MATL

NOTES:
ALL ORIFICES ON PERMANENT RISER BELOW TEMPORARY RISER EXTENSION SHALL HAVE WATER-TIGHT TEMPORARY SEALS PROVIDED. TEMPORARY STUB INVERT ELEVATION SHALL BE SET AT OR BELOW SEDIMENT CLEAN-OUT ELEVATION.
A ROPE SHALL BE ATTACHED TO THE SKIMMER ARM TO FACILITATE ACCESS TO THE SKIMMER ONCE INSTALLED. SKIMMER SHALL BE INSPECTED WEEKLY AND AFTER EACH RUNOFF EVENT. ANY MALFUNCTIONING SKIMMER SHALL BE REPAIRED OR REPLACED WITHIN 24 HOURS OF INSPECTION. ICE OR SEDIMENT BUILDUP AROUND THE PRINCIPAL SPILLWAY SHALL BE REMOVED SO AS TO ALLOW THE SKIMMER TO RESPOND TO FLUCTUATING WATER ELEVATIONS.

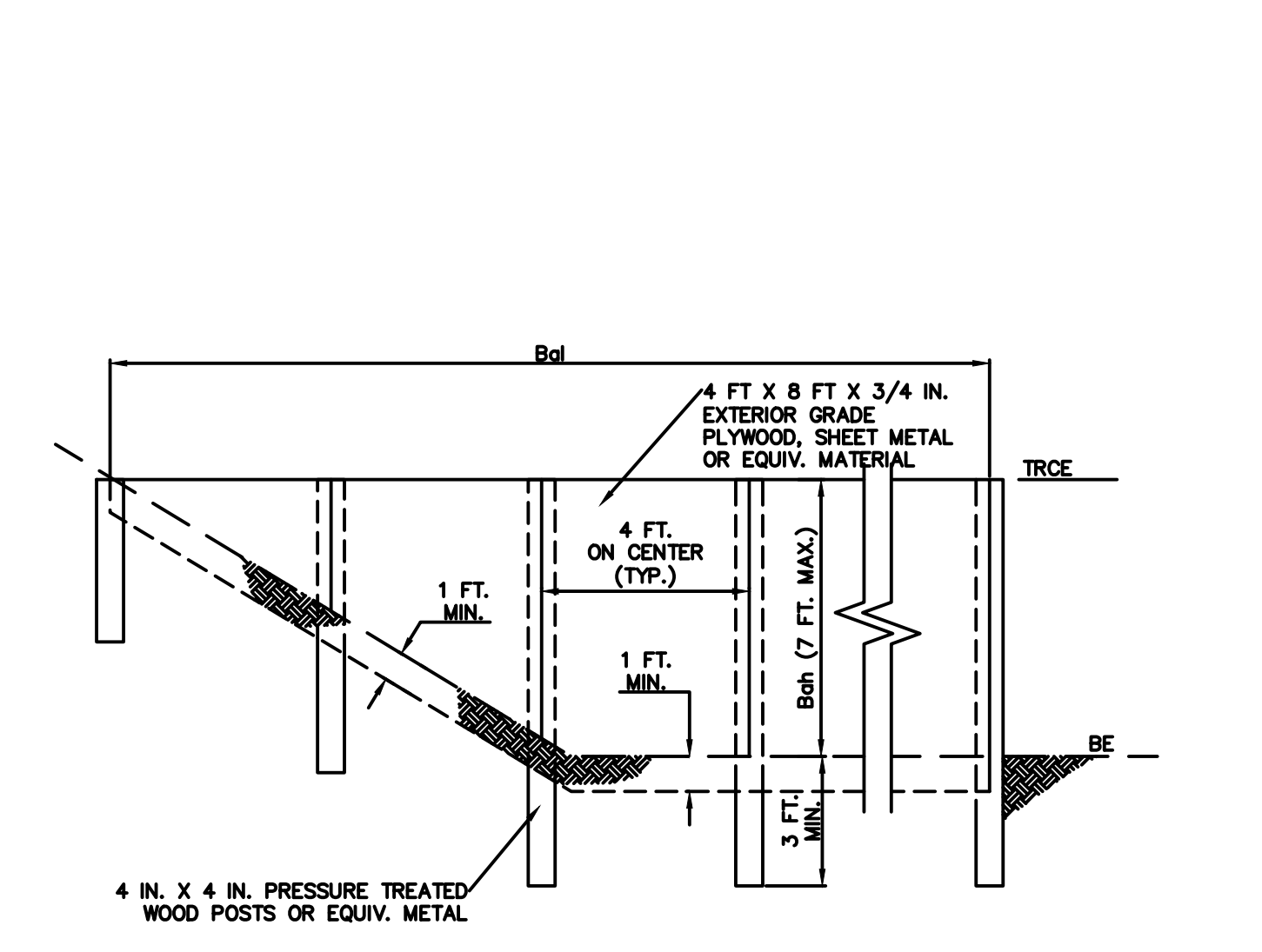
STANDARD CONSTRUCTION DETAIL #7-2
SKIMMER ATTACHED TO PERMANENT RISER
N.T.S.



TRAP NO.	DIA TRD (IN)	CREST ELEV (FT)	MATERIAL	CLEAN OUT ELEV. COE (FT)	CONCRETE BASE			INLET ELEV BIE (FT)
					LENGTH (IN)	WIDTH (IN)	THICK (IN)	

NOTES:
A MINIMUM OF 2-#8 REBAR SHALL BE PLACED AT RIGHT ANGLES AND PROJECTING THROUGH SIDES OF RISER TO ANCHOR IT TO CONCRETE BASE. REBAR SHALL PROJECT A MINIMUM OF 1/4 RISER DIAMETER BEYOND OUTSIDE OF RISER.
CONCRETE BASE SHALL BE POURED IN SUCH A MANNER SO AS TO INSURE THAT CONCRETE FILLS BOTTOM OF RISER TO INVERT OF THE OUTLET PIPE TO PREVENT RISER FROM BREAKING AWAY FROM THE BASE. MINIMUM BASE WIDTH EQUALS 2 TIMES RISER DIAMETER.
EMBEDDED SECTION OF ALUMINUM OR ALUMINIZED PIPE SHALL BE PAINTED WITH ZINC CHROMATE OR EQUIVALENT.
CLOGGED OR DAMAGED SPILLWAYS SHALL BE REPAIRED IMMEDIATELY. TRASH AND OTHER DEBRIS SHALL BE REMOVED FROM THE BASIN AND RISER.

STANDARD CONSTRUCTION DETAIL #8-3
SEDIMENT TRAP TEMPORARY RISER
N.T.S.



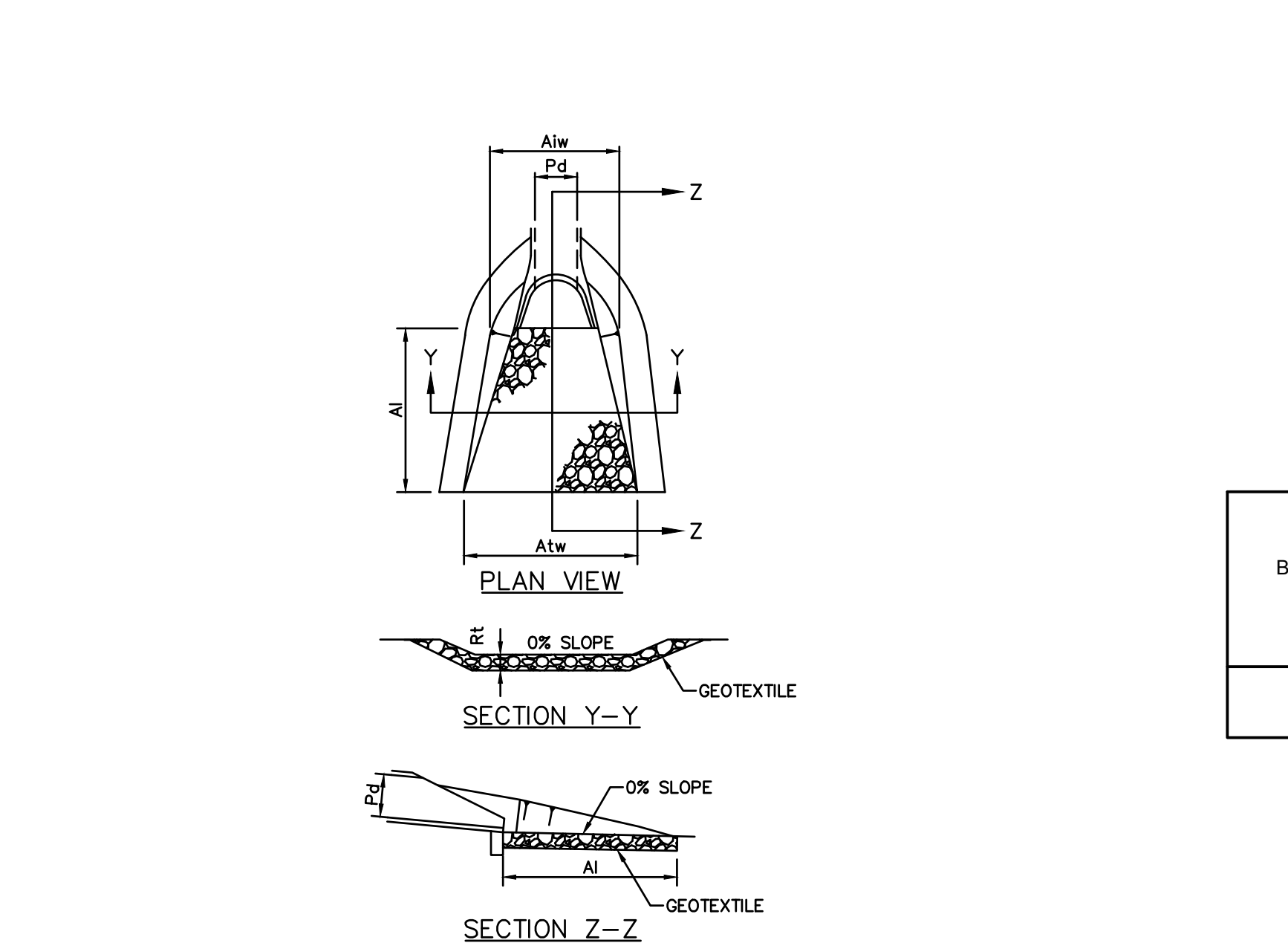
BASIN OR TRAP NO.	BAFFLE LENGTH (FT)	HEIGHT (FT)	TEMPORARY RISER CREST ELEV. (FT)	BOTTOM ELEV. (FT)

NOTES:
SEE APPROPRIATE BASIN DETAIL FOR PROPER LOCATION AND ORIENTATION.
AN ACCEPTABLE ALTERNATIVE IS TO INSTALL A SUPER SILT FENCE AT THE BAFFLE LOCATION
IN POOLS WITH DEPTHS EXCEEDING 7', THE TOP OF THE PLYWOOD BAFFLE DOES NOT NEED TO EXTEND TO THE TEMPORARY RISER CREST. SUPER SILT FENCE BAFFLES NEED NOT EXTEND TO TRCE ELEVATION.
BAFFLES SHALL BE TIED INTO ONE SIDE OF THE BASIN UNLESS OTHERWISE SHOWN ON THE PLAN DRAWINGS.
SUBSTITUTION OF MATERIALS NOT SPECIFIED IN THIS DETAIL SHALL BE APPROVED BY THE DEPARTMENT OR THE LOCAL CONSERVATION DISTRICT BEFORE INSTALLATION.
DAMAGED OR WARPED BAFFLES SHALL BE REPLACED WITHIN 7 DAYS OF INSPECTION.
BAFFLES REQUIRING SUPPORT POSTS SHALL NOT BE INSTALLED IN BASINS REQUIRING IMPERVIOUS LINERS.

STANDARD CONSTRUCTION DETAIL #7-14
BAFFLE
NOT TO SCALE

NOTES:
SEE DETAIL #8-3 TEMPORARY RISER FOR DETAILS OF THE TEMPORARY RISER CONSTRUCTION.
FILL MATERIAL FOR THE EMBANKMENTS SHALL BE FREE OF ROOTS, OR OTHER WOODY VEGETATION, ORGANIC MATERIAL, LARGE STONES, AND OTHER OBJECTIONABLE MATERIALS. THE EMBANKMENT SHALL BE COMPACTED IN LAYERED LIFTS OF NOT MORE THAN 6 TO 9 IN. THE MAXIMUM ROCK SIZE SHALL BE NO GREATER THAN 2/3 THE LIFT THICKNESS.
ALL BASIN EMBANKMENTS SHOULD BE COMPACTED BY SHEEPSFOOT OR PAD ROLLER. THE LOOSE LIFT THICKNESS SHOULD BE 9 INCHES OR LESS, DEPENDING ON ROLLER SIZE, AND THE MAXIMUM PARTICLE SIZE IS 8 INCHES OR LESS - 2/3 LIFT THICKNESS. FIVE PASSES OF THE COMPACTION EQUIPMENT OVER THE ENTIRE SURFACE OF EACH LIFT IS REQUIRED. EMBANKMENT COMPACTION TO VISIBLE NON-MOVEMENT IS ALSO REQUIRED.
UPON COMPLETION, THE EMBANKMENT SHALL BE SEEDED AND MULCHED OR OTHERWISE STABILIZED ACCORDING TO THE SPECIFICATIONS OF THE E&S PLAN DRAWINGS.
ALL SEDIMENT TRAPS SHALL BE INSPECTED AT LEAST WEEKLY AND AFTER EACH RUNOFF EVENT.
ACCESS FOR SEDIMENT REMOVAL AND OTHER REQUIRED MAINTENANCE ACTIVITIES SHALL BE PROVIDED.
A CLEAN OUT STAKE SHALL BE PLACED NEAR THE CENTER OF EACH TRAP. ACCUMULATED SEDIMENT SHALL BE REMOVED WHEN IT HAS REACHED THE CLEAN OUT ELEVATION ON THE STAKE AND THE TRAP RESTORED TO ITS ORIGINAL DIMENSIONS. DISPOSE OF MATERIALS REMOVED FROM THE TRAP IN THE MANNER DESCRIBED IN THE E&S PLAN.
CHECK EMBANKMENTS, SPILLWAYS, AND OUTLETS FOR EROSION, PIPING AND SETTLEMENT. CLOGGED OR DAMAGED SPILLWAYS AND/OR EMBANKMENTS SHALL BE IMMEDIATELY RESTORED TO THE DESIGN SPECIFICATIONS.
DISPLACED RIPRAP WITHIN THE OUTLET PROTECTION SHALL BE REPLACED IMMEDIATELY.
ACCUMULATED SEDIMENT SHALL BE REMOVED AND DISTURBED AREAS INSIDE THE TRAP SHALL BE STABILIZED BEFORE CONVERSION TO A STORMWATER MANAGEMENT FACILITY. TO ASSIST IN REMOVING SEDIMENT, WHICH MAY BE SATURATED, A DEVICE SUCH AS IS SHOWN IN STANDARD CONSTRUCTION DETAIL #7-18 MAY BE USED TO DEWATER THE SEDIMENT PRIOR TO ITS REMOVAL.

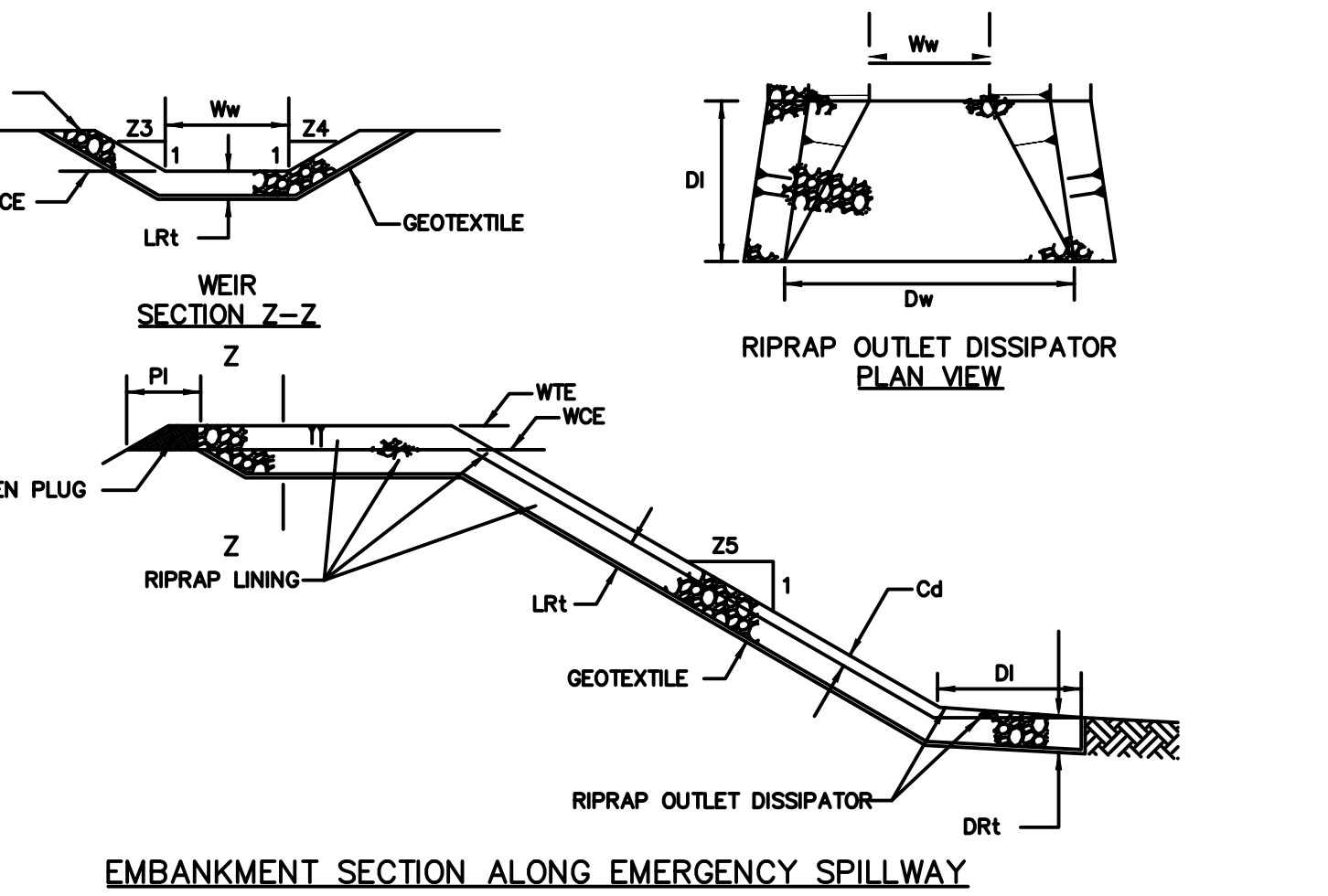
STANDARD CONSTRUCTION DETAIL #8-2
BARREL/RISER SEDIMENT TRAP



OUTLET NO.	PIPE DIA (IN)	RIPRAP		APRON	
		THICK (IN)	LENGTH (FT)	INITIAL WIDTH (FT)	TERMINAL WIDTH (FT)

NOTES:
ALL APRONS SHALL BE CONSTRUCTED TO THE DIMENSIONS SHOWN. TERMINAL WIDTHS SHALL BE ADJUSTED AS NECESSARY TO MATCH RECEIVING CHANNELS.
ALL APRONS SHALL BE INSPECTED AT LEAST WEEKLY AND AFTER EACH RUNOFF EVENT. DISPLACED RIPRAP WITHIN THE APRON SHALL BE REPLACED IMMEDIATELY.

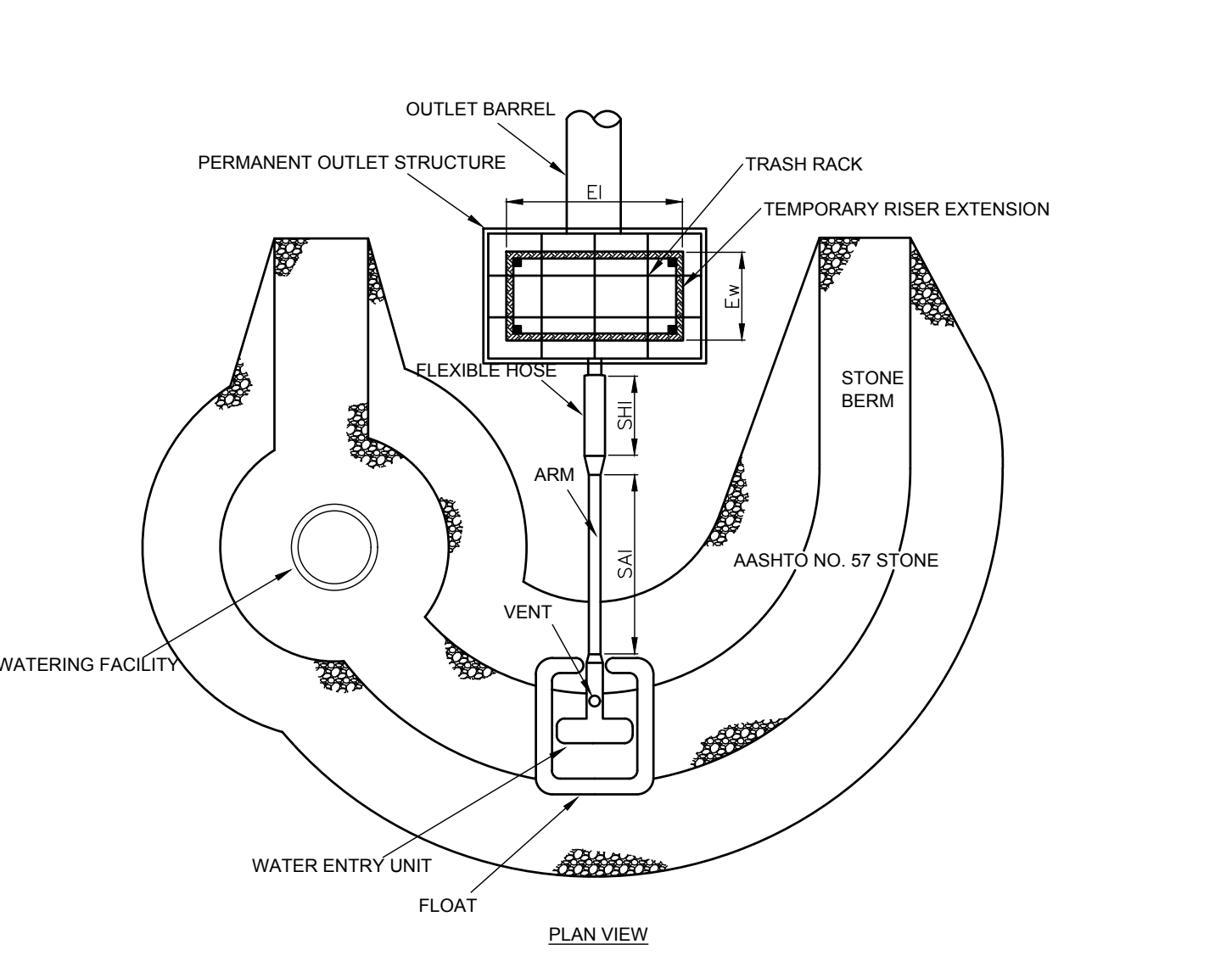
STANDARD CONSTRUCTION DETAIL #9-1
RIPRAP APRON AT PIPE OUTLET WITH FLARED END SECTION OR ENDWALL
N.T.S.



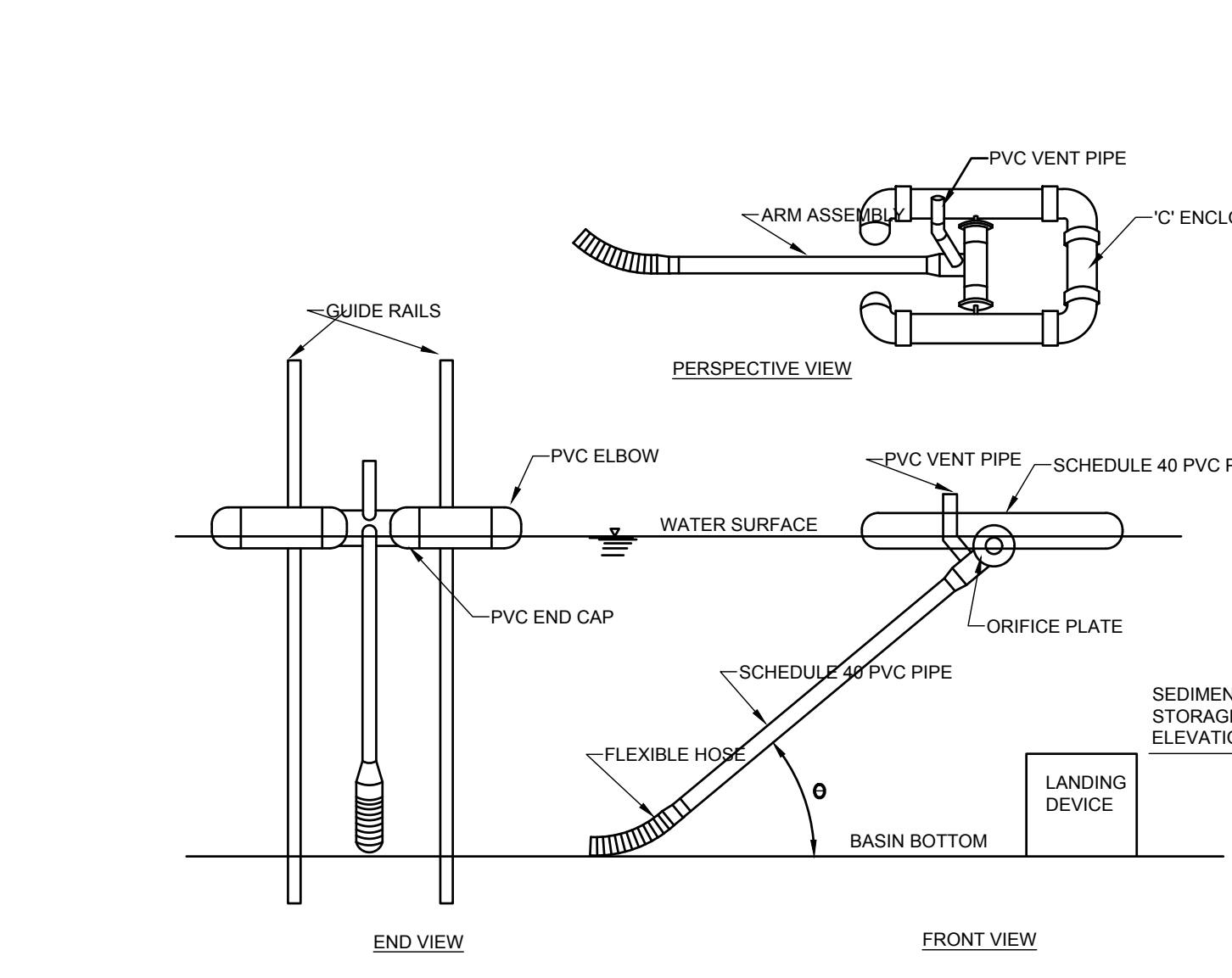
BASIN NO.	WEIR		LINING		CHANNEL		DISSIPATOR	
	Z3 (FT)	Z4 (FT)	TOP ELEV (FT)	WIDTH (FT)	LENGTH (FT)	WIDTH (FT)	RIPRAP THICK (IN)	RIPRAP SIZE (R-)

NOTES:
DIMENSION PI SHALL BE 5' MINIMUM.
DISPLACED RIPRAP WITHIN THE SPILLWAY AND/OR OUTLET CHANNEL SHALL BE REPLACED IMMEDIATELY.

STANDARD CONSTRUCTION DETAIL #7-12
SEDIMENT BASIN EMERGENCY SPILLWAY WITH RIPRAP LINING
N.T.S.



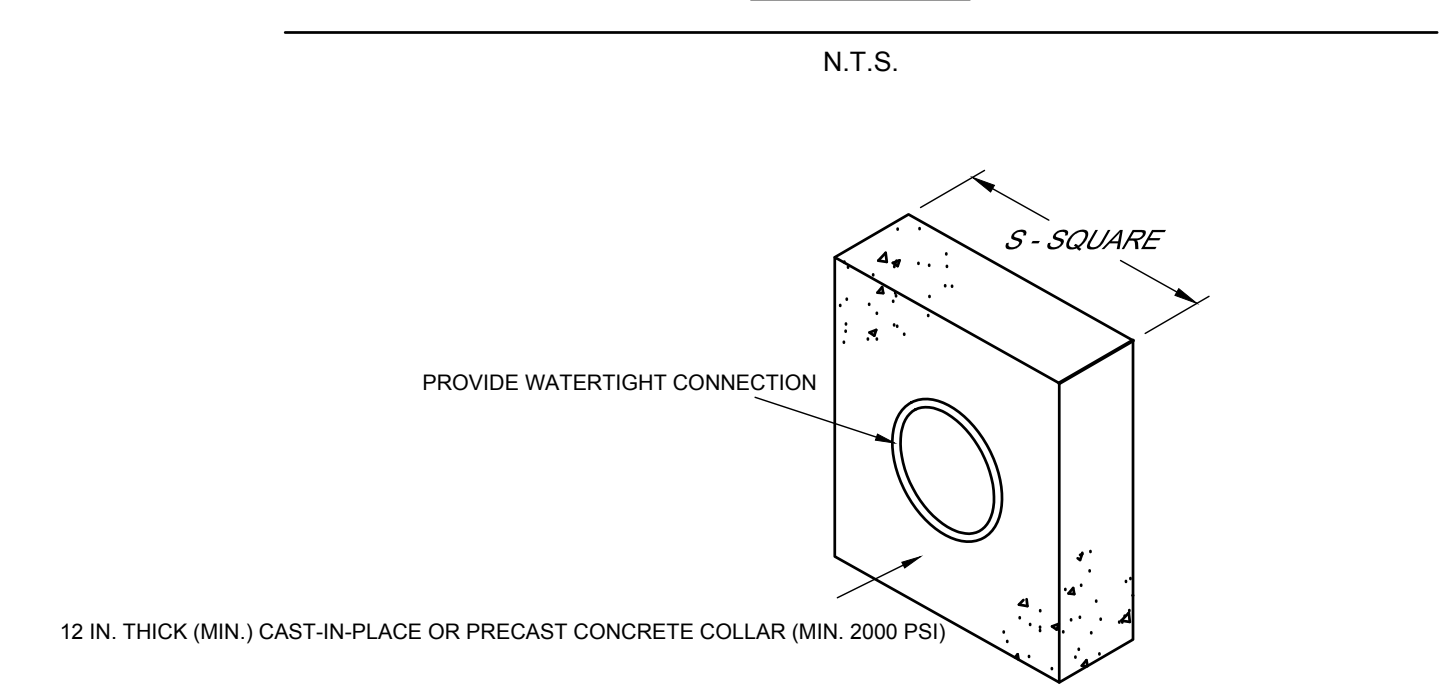
STANDARD CONSTRUCTION DETAIL #7-3
SKIMMER WITH STONE LANDING BERM
N.T.S.



BASIN NO.	WATER SURFACE ELEVATION (FT)	ARM LENGTH (FT)	ARM DIA. (IN)	ORIFICE DIA. (IN)	TOP OF LANDING DEVICE ELEVATION (FT)	FLEXIBLE HOSE LENGTH (IN)	FLEXIBLE HOSE ATTACHMENT ELEVATION (FT)

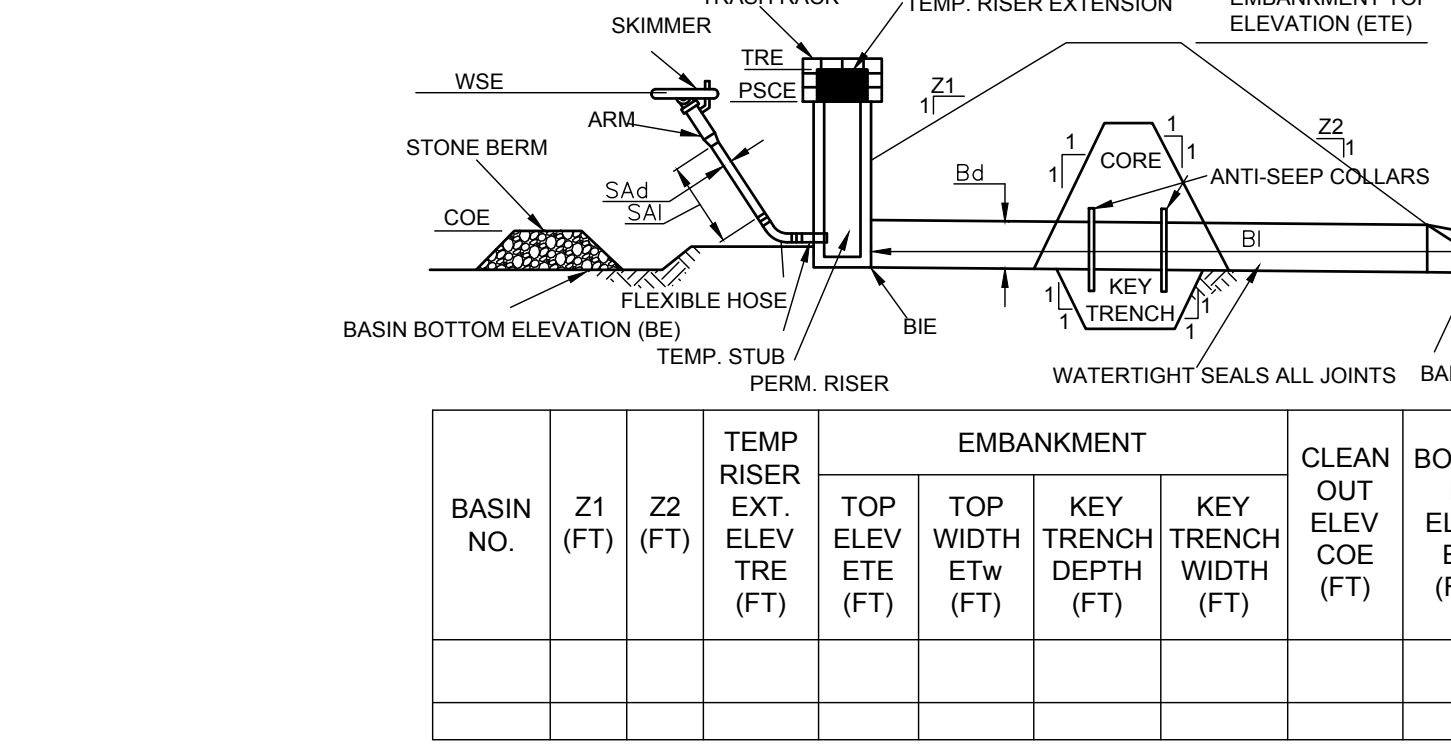
NOTES:
ORIFICE DIAMETER MUST BE EQUAL TO OR LESS THAN ARM DIAMETER
A ROPE SHALL BE ATTACHED TO THE SKIMMER ARM TO FACILITATE ACCESS TO THE SKIMMER ONCE INSTALLED.
SKIMMER SHALL BE INSPECTED WEEKLY AND AFTER EACH RUNOFF EVENT. ANY MALFUNCTIONING SKIMMER SHALL BE REPAIRED OR REPLACED WITHIN 24 HOURS OF INSPECTION. ICE OR SEDIMENT BUILDUP AROUND THE PRINCIPAL SPILLWAY SHALL BE REMOVED SO AS TO ALLOW THE SKIMMER TO RESPOND TO FLUCTUATING WATER ELEVATIONS.

STANDARD CONSTRUCTION DETAIL #7-1
SKIMMER
N.T.S.



BASIN OR TRAP NO.	PIPE SIZE (IN)	S (IN)	NO. OF COLLARS	RISER TO FIRST COLLAR (FT)	COLLAR SPACING (FT)

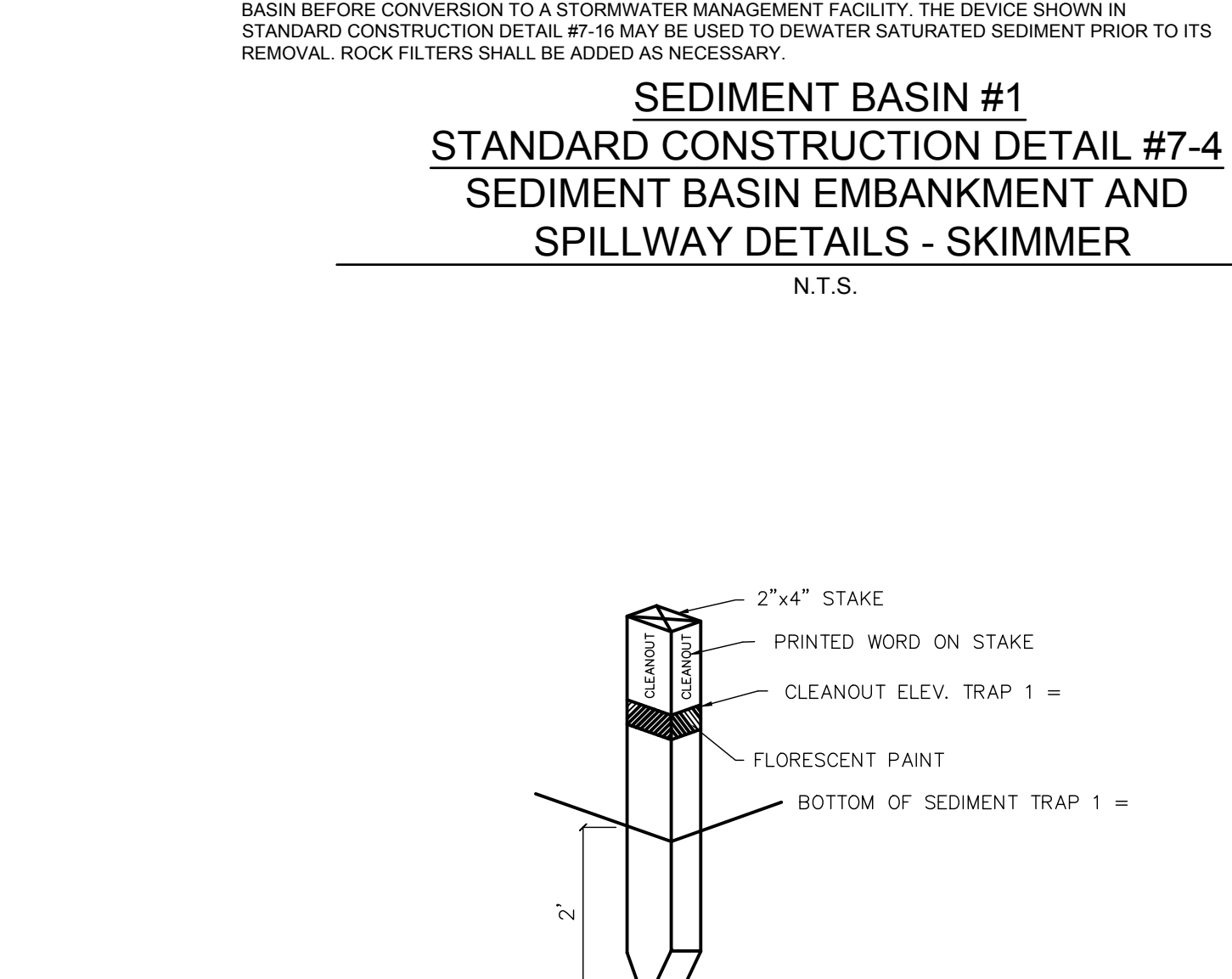
STANDARD CONSTRUCTION DETAIL #7-16
CONCRETE ANTI-SEEP COLLAR FOR PERMANENT BASINS OR TRAPS
N.T.S.



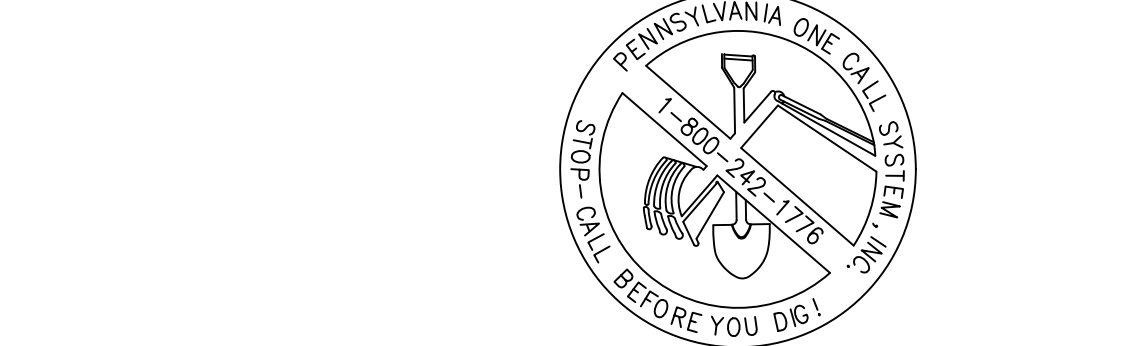
BASIN NO.	Z1 (FT)	Z2 (FT)	TEMP RISER EXT. ELEV. (FT)	EMBANKMENT			CLEAN OUT ELEV. COE (FT)	BOTTOM ELEV. BE (FT)
				TOP ELEV. (FT)	KEY TRENCH DEPTH (FT)	KEY TRENCH WIDTH (FT)		

NOTES:
SEDIMENT BASINS, INCLUDING ALL APPURTENANCE WORKS, SHALL BE CONSTRUCTED TO THE DETAIL AND DIMENSIONS SHOWN ON THE E&S PLAN DRAWINGS.
ALL BASIN EMBANKMENTS SHOULD BE COMPACTED BY SHEEPSFOOT OR PAD ROLLER. THE LOOSE LIFT THICKNESS SHOULD BE 9 INCHES OR LESS, DEPENDING ON ROLLER SIZE, AND THE MAXIMUM PARTICLE SIZE IS 8 INCHES OR LESS - 2/3 LIFT THICKNESS. FIVE PASSES OF THE COMPACTION EQUIPMENT OVER THE ENTIRE SURFACE OF EACH LIFT IS REQUIRED. EMBANKMENT COMPACTION TO VISIBLE NON-MOVEMENT IS ALSO REQUIRED.
AREA UNDER EMBANKMENT SHALL BE CLEARED, GRUBBED, AND STRIPPED OF TOPSOIL TO A DEPTH OF TWO FEET PRIOR TO ANY PLACEMENT AND COMPACTION OF EARTHEN FILL. IN ORDER TO FACILITATE MAINTENANCE AND RESTORATION, THE POOL AREA SHALL BE CLEARED OF ALL BRUSH, TREES, AND OBJECTIONABLE MATERIAL. FILL MATERIAL FOR THE EMBANKMENTS SHALL BE FREE OF ROOTS, OR OTHER WOODY VEGETATION, ORGANIC MATERIAL, LARGE STONES, AND OTHER OBJECTIONABLE MATERIALS. THE EMBANKMENT SHALL BE COMPACTED IN LAYERED LIFTS OF NOT MORE THAN 6 TO 9 IN. THE MAXIMUM ROCK SIZE SHALL BE NO GREATER THAN 2/3 THE LIFT THICKNESS.
UPON COMPLETION, THE EMBANKMENT SHALL BE SEEDED, MULCHED, BLANKETED OR OTHERWISE STABILIZED ACCORDING TO THE SPECIFICATIONS OF THE E&S PLAN DRAWINGS. TREES SHALL NOT BE PLANTED ON THE EMBANKMENT.
INSPECT ALL SEDIMENT BASINS ON AT LEAST A WEEKLY BASIS AND AFTER EACH RUNOFF EVENT. PROVIDE ACCESS FOR SEDIMENT REMOVAL AND OTHER REQUIRED MAINTENANCE ACTIVITIES. A CLEAN OUT STAKE SHALL BE PLACED NEAR THE CENTER OF EACH BASIN. ACCUMULATED SEDIMENT SHALL BE REMOVED WHEN IT HAS REACHED THE CLEAN OUT ELEVATION ON THE STAKE AND THE BASIN RESTORED TO ITS ORIGINAL DIMENSIONS. DISPOSE OF MATERIALS REMOVED FROM THE BASIN IN THE MANNER DESCRIBED IN THE E&S PLAN.
BASIN EMBANKMENTS, SPILLWAYS, AND OUTLETS SHALL BE INSPECTED FOR EROSION, PIPING AND SETTLEMENT. NECESSARY REPAIRS SHALL BE IMMEDIATELY. DISPLACED RIPRAP WITHIN THE OUTLET ENERGY DISSIPATOR SHALL BE REPLACED IMMEDIATELY.
ACCUMULATED SEDIMENT SHALL BE REMOVED AND DISTURBED AREAS SHALL BE STABILIZED INSIDE THE BASIN BEFORE CONVERSION TO A STORMWATER MANAGEMENT FACILITY. THE DEVICE SHOWN IN STANDARD CONSTRUCTION DETAIL #7-16 MAY BE USED TO DEWATER SATURATED SEDIMENT PRIOR TO ITS REMOVAL. ROCK FILTERS SHALL BE ADDED AS NECESSARY.

STANDARD CONSTRUCTION DETAIL #7-4
SEDIMENT BASIN EMBANKMENT AND SPILLWAY DETAILS - SKIMMER
N.T.S.



CLEANOUT STAKE



CALL BEFORE YOU DIG
BEFORE YOU DIG ANYWHERE IN PENNSYLVANIA
CALL 1-800-242-1776
PA. ACT 287 OF 1974 REQUIRES THREE WORKING DAYS NOTICE TO UTILITIES BEFORE YOU EXCAVATE, DRILL OR BLAST PENNSYLVANIA ONE-CALL SYSTEM, INC. SERIAL NUMBER: 2018110309-000



PRJ #	REV	COMPANY	INITIALS	DATE	DESCRIPTION

LONGWOOD GARDENS NURSERY GREENHOUSE



EROSION AND SEDIMENT CONTROL DETAILS

DRAWING ORIGINATOR: PENNONI ASSOCIATES INC. ONE SOUTH CHURCH STREET, 2ND FLOOR T 610.429.8907 F 610.429.8918

DRAWN BY:	CHECKED BY:	DRAWING NUMBER:
FSS	CRP	NURSGRHN034

DATE: 2018-06-08 SCALE: N.T.S. SHEET # 34 OF 41

