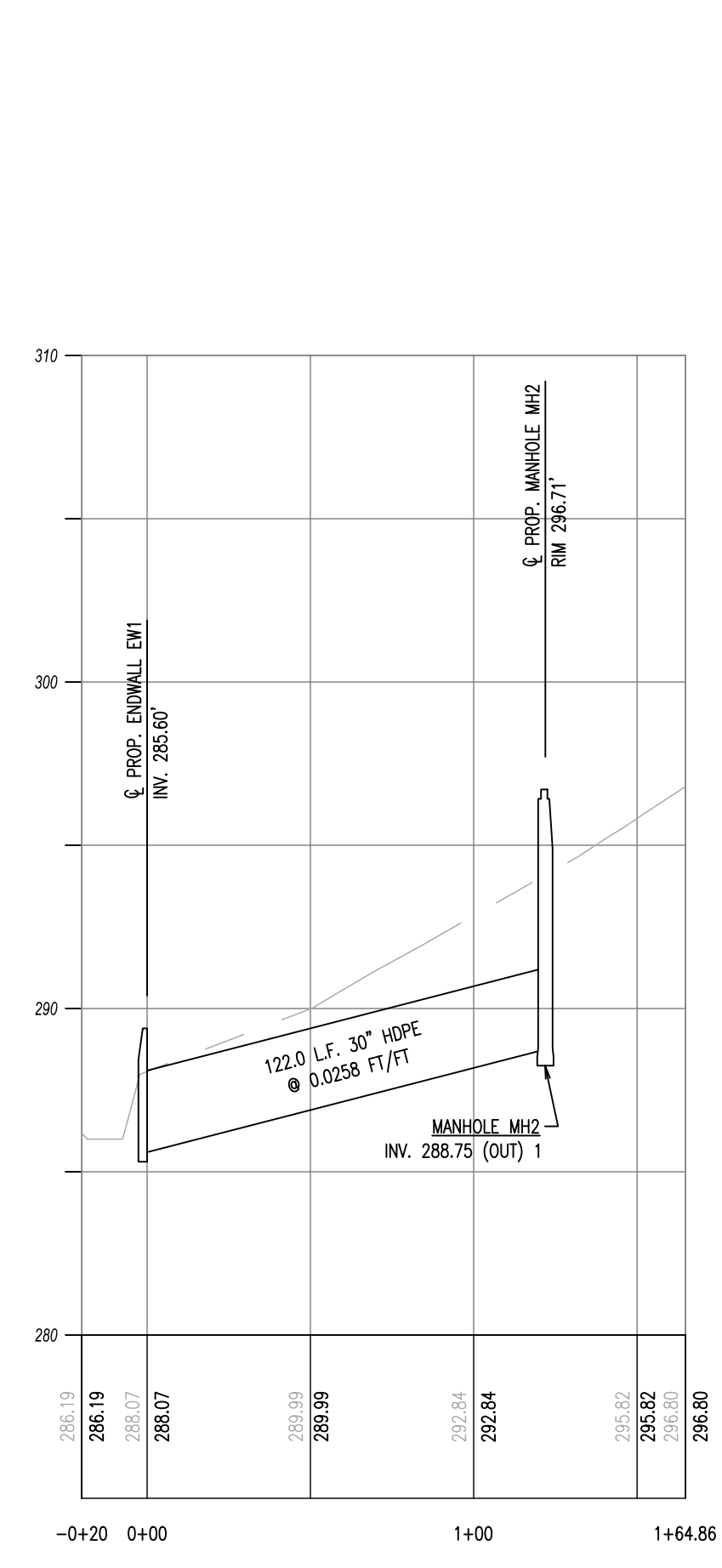




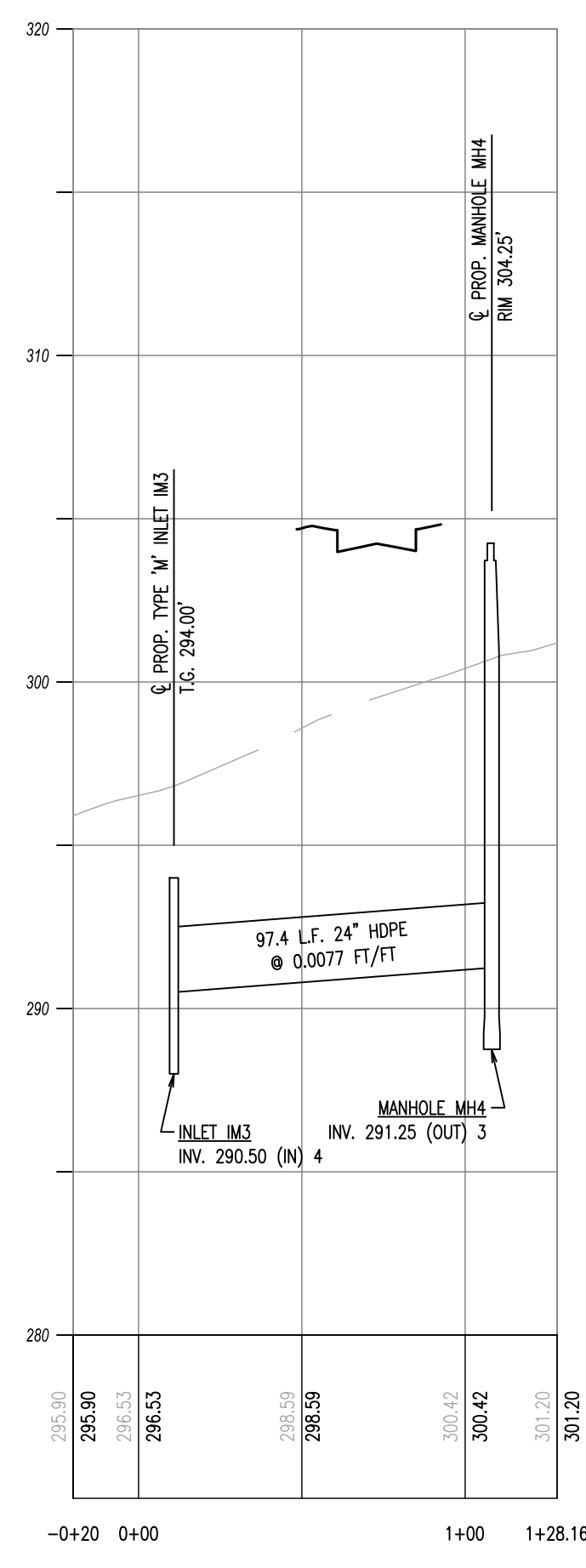
DLHowell

Civil Engineering
Land Planning
Environmental
www.DLHowell.com

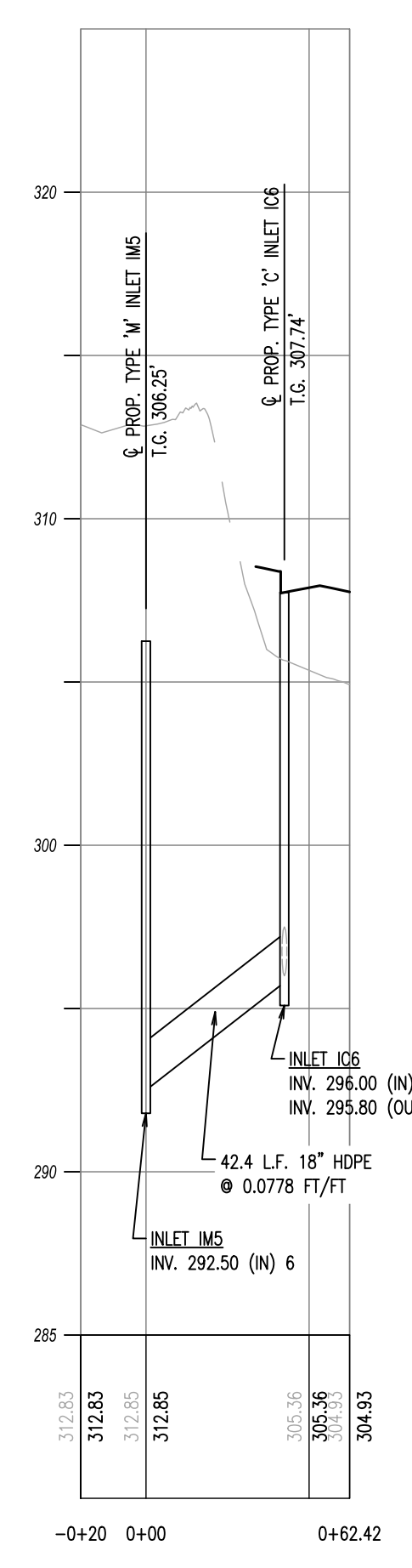
1250 Wrights Lane
West Chester, PA 19380
Phone: (610) 918-9002
Fax: (610) 918-9003



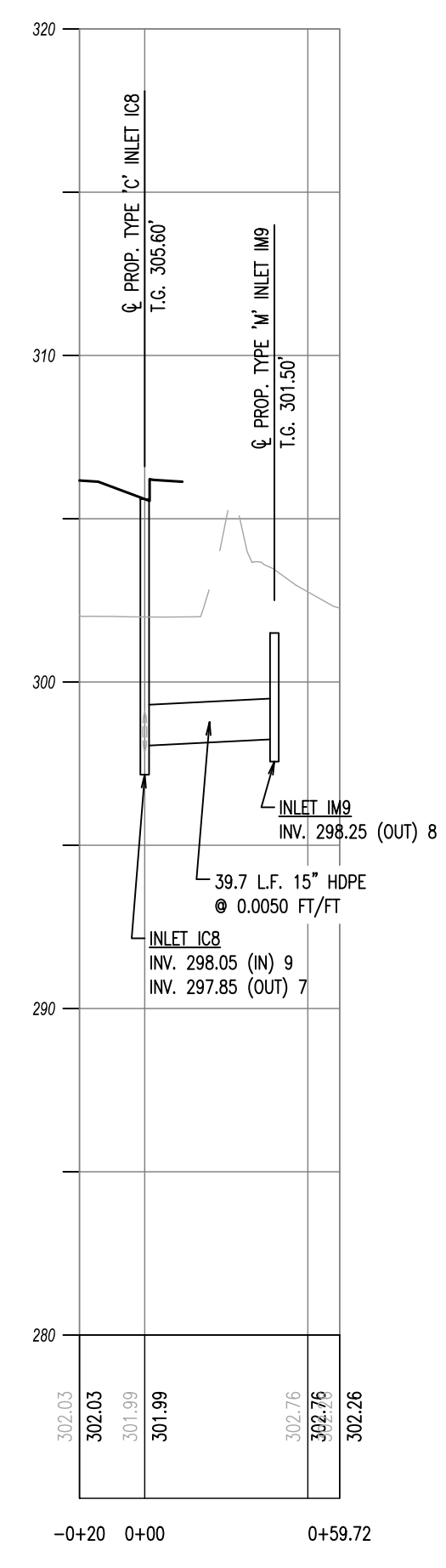
STORM SEWER EW1 - MH2 PROFILE
HORIZ SCALE: 1"=50'
VERT SCALE: 1"=5'



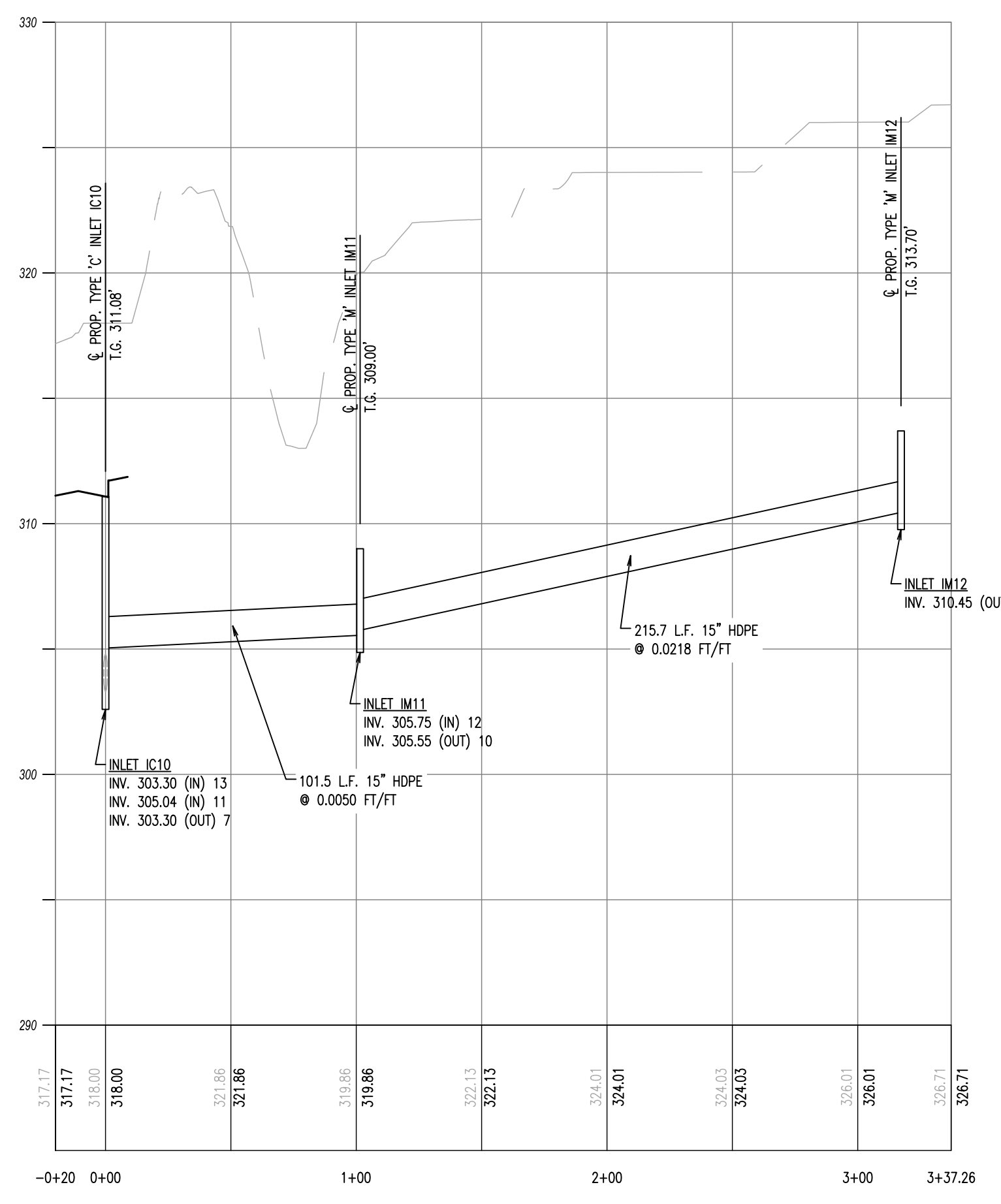
STORM SEWER IM3 - MH4 PROFILE
HORIZ SCALE: 1"=50'
VERT SCALE: 1"=5'



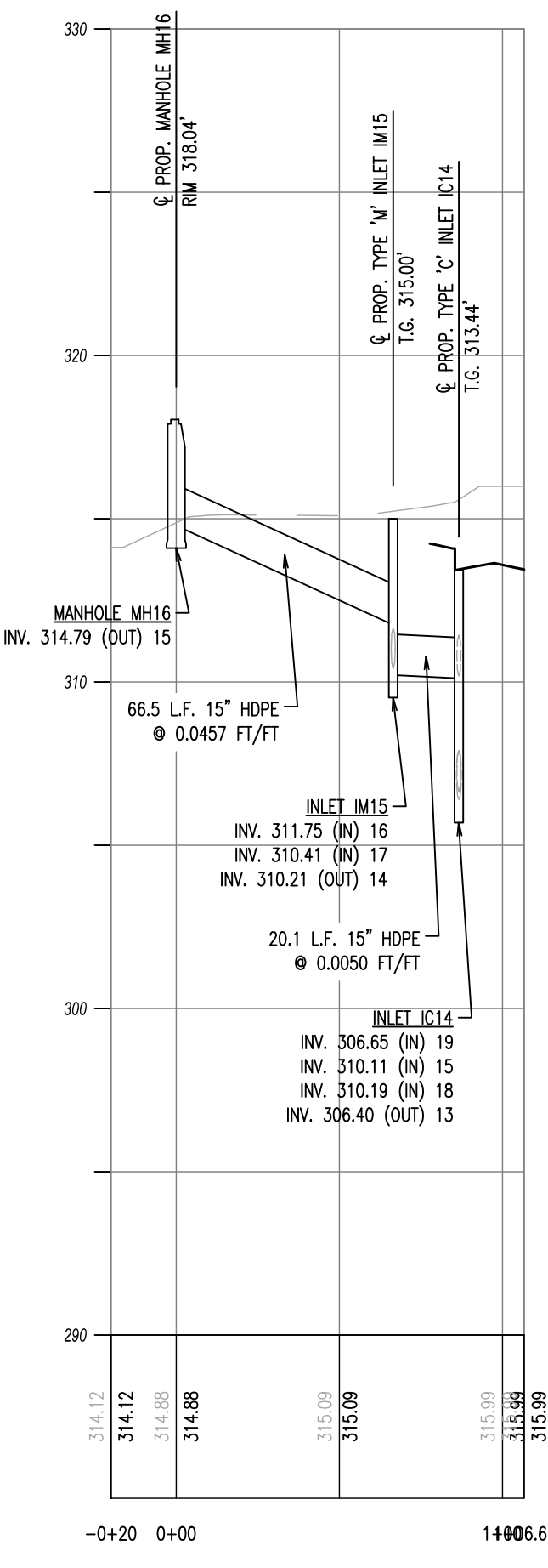
STORM SEWER IM5 - IC6 PROFILE
HORIZ SCALE: 1"=50'
VERT SCALE: 1"=5'



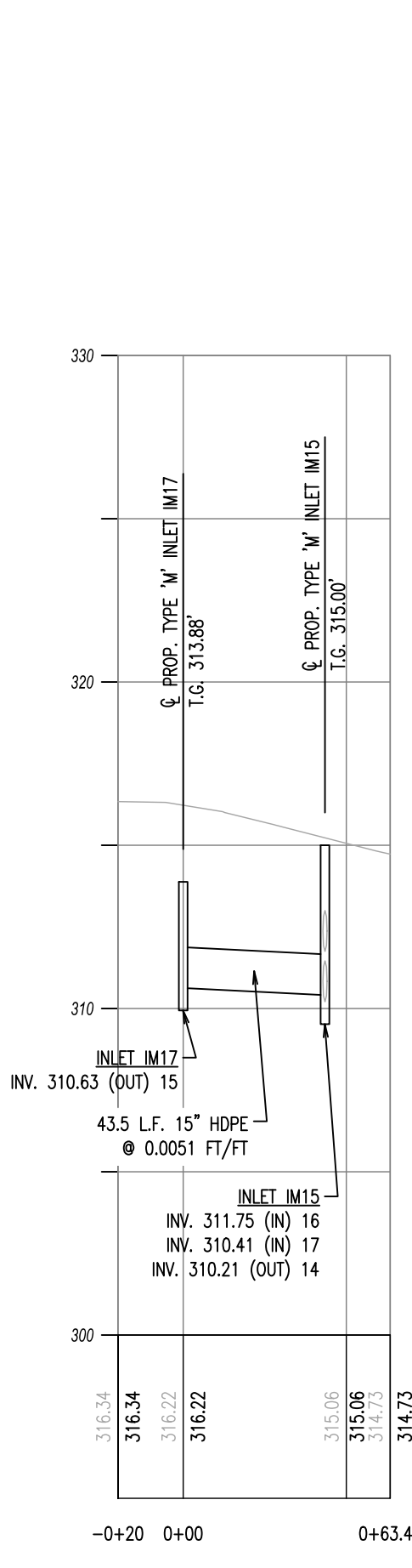
STORM SEWER IC8 - IM9 PROFILE
HORIZ SCALE: 1"=50'
VERT SCALE: 1"=5'



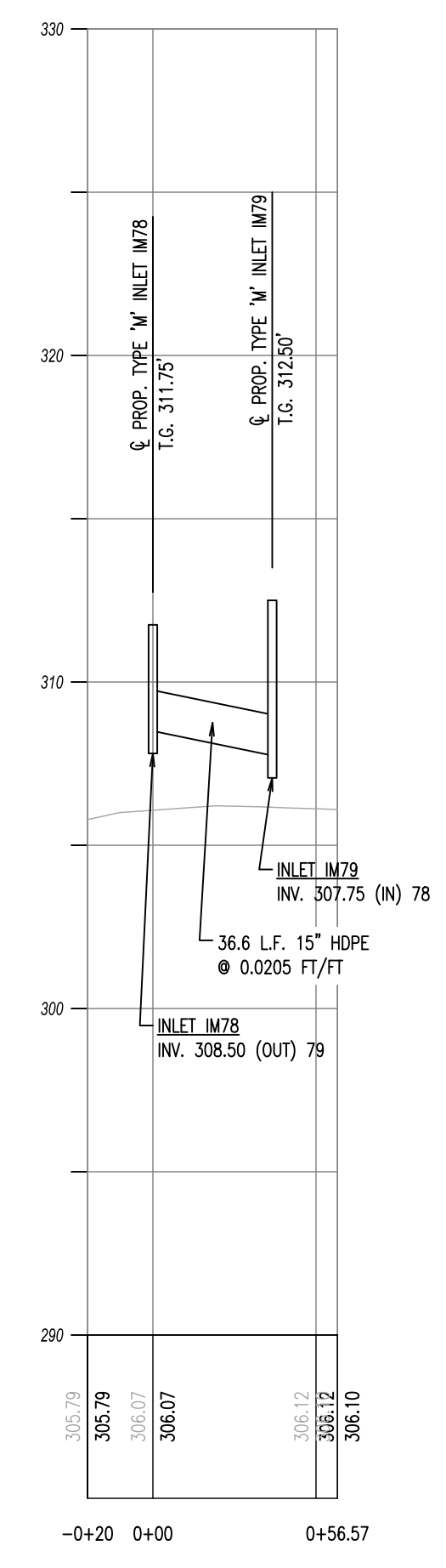
STORM SEWER IC10 - IM12 PROFILE
HORIZ SCALE: 1"=50'
VERT SCALE: 1"=5'



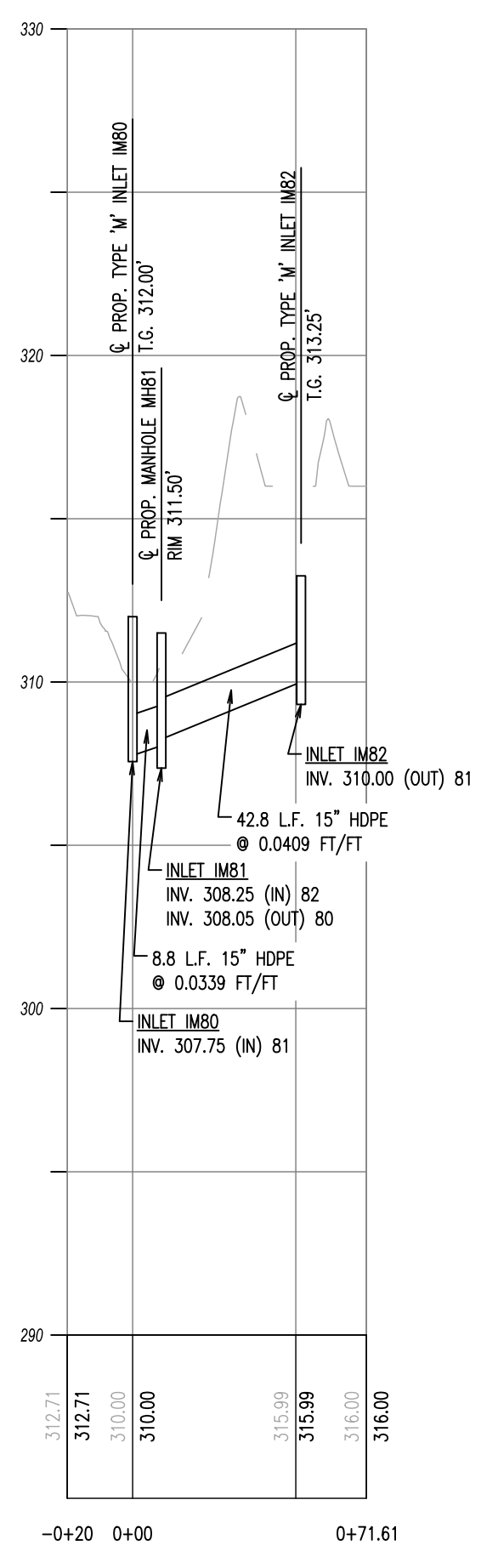
STORM SEWER MH16 - IC14 PROFILE
HORIZ SCALE: 1"=50'
VERT SCALE: 1"=5'



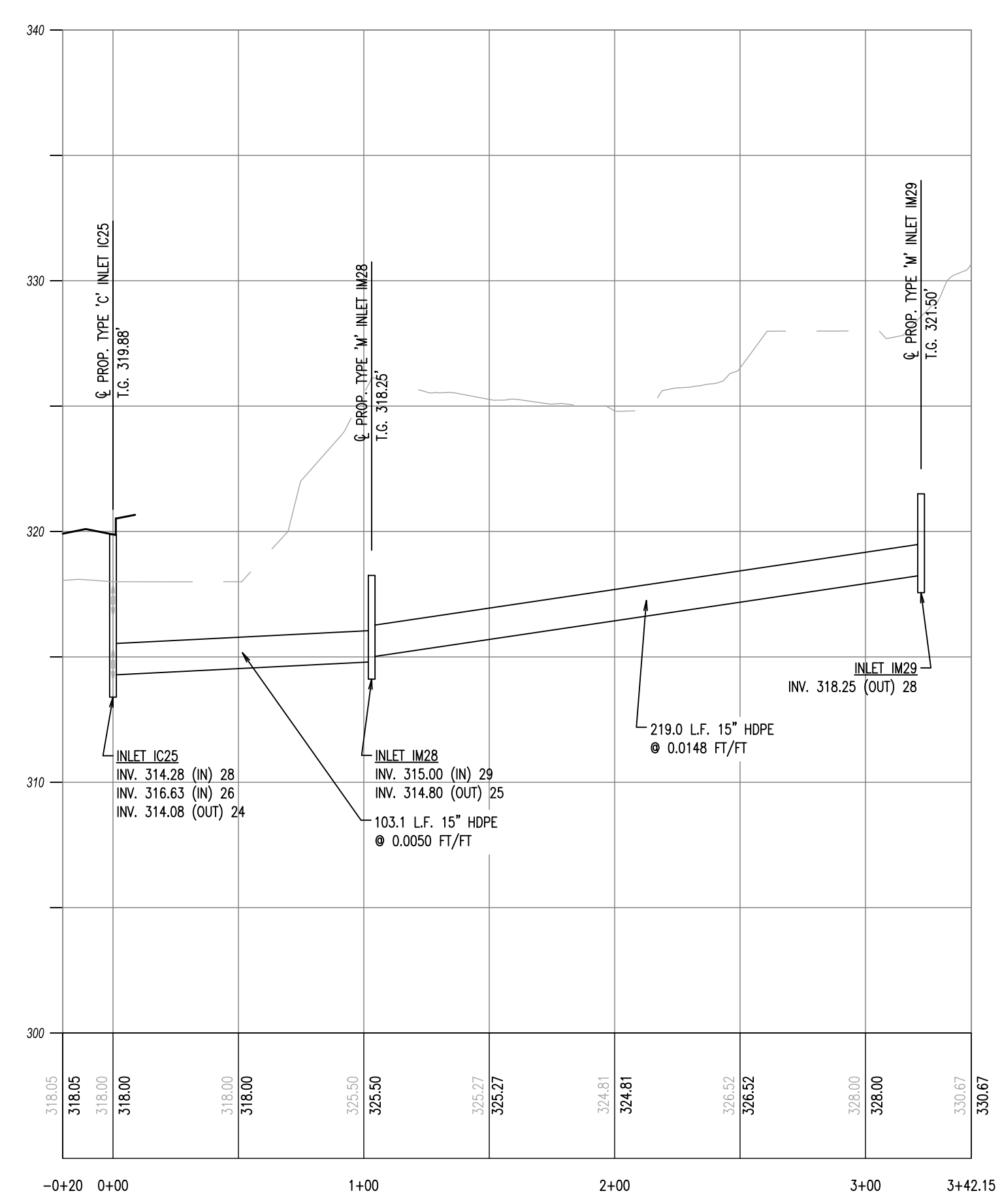
STORM SEWER IM17 - IM15 PROFILE
HORIZ SCALE: 1"=50'
VERT SCALE: 1"=5'



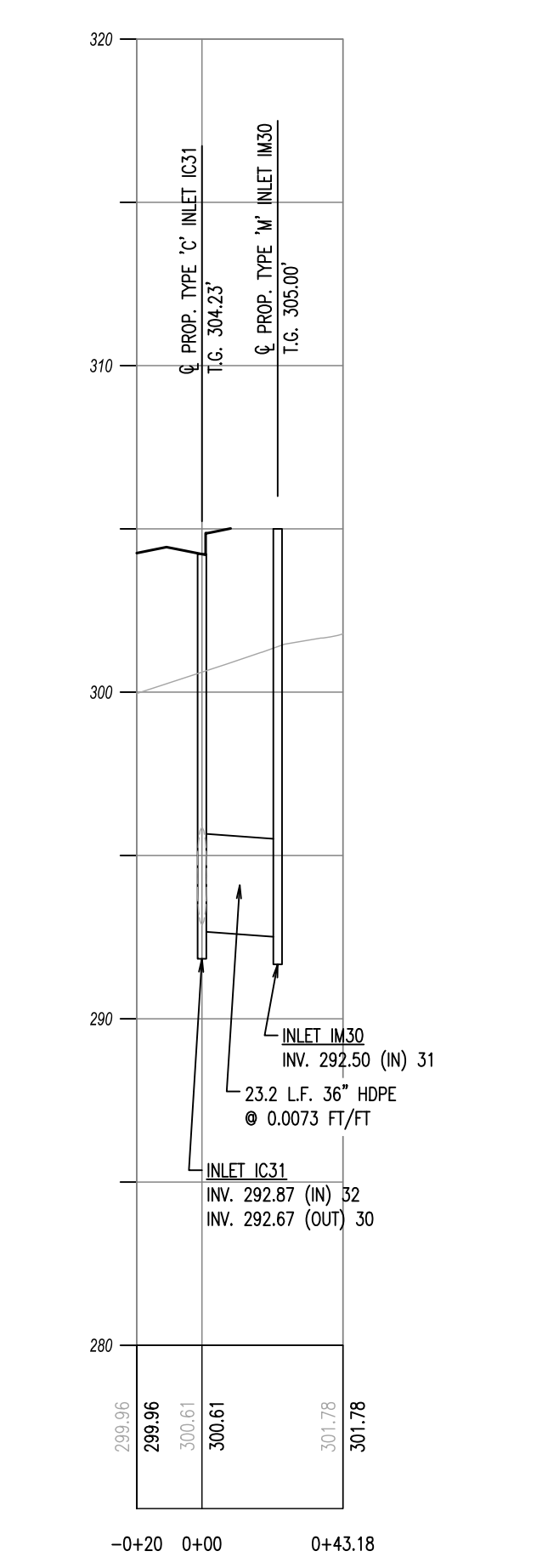
STORM SEWER IM78 - IM79 PROFILE
HORIZ SCALE: 1"=50'
VERT SCALE: 1"=5'



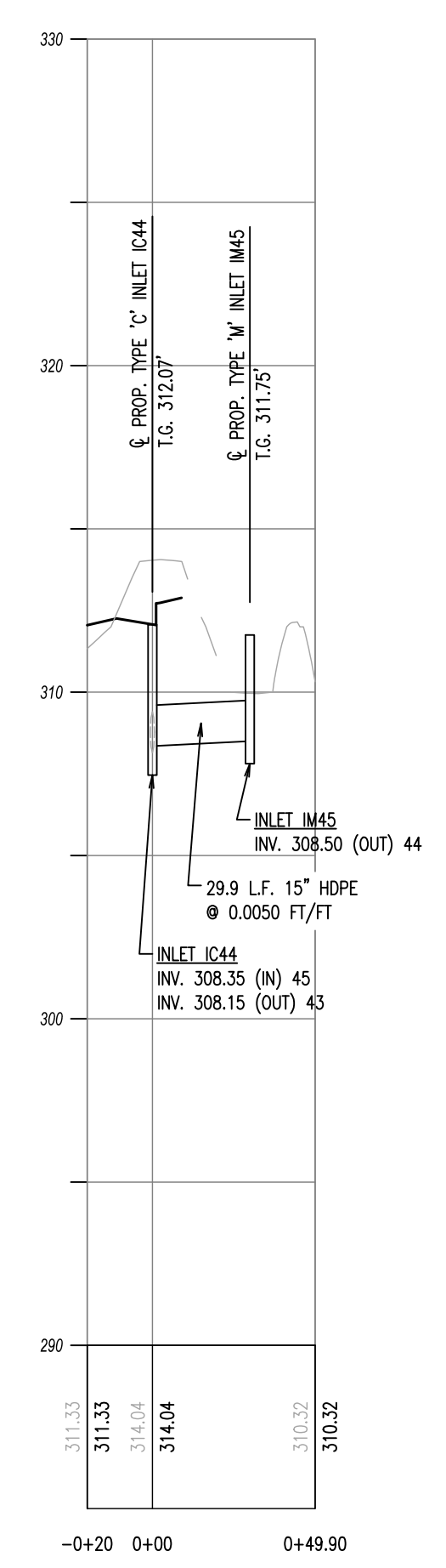
STORM SEWER IM80 - IM82 PROFILE
HORIZ SCALE: 1"=50'
VERT SCALE: 1"=5'



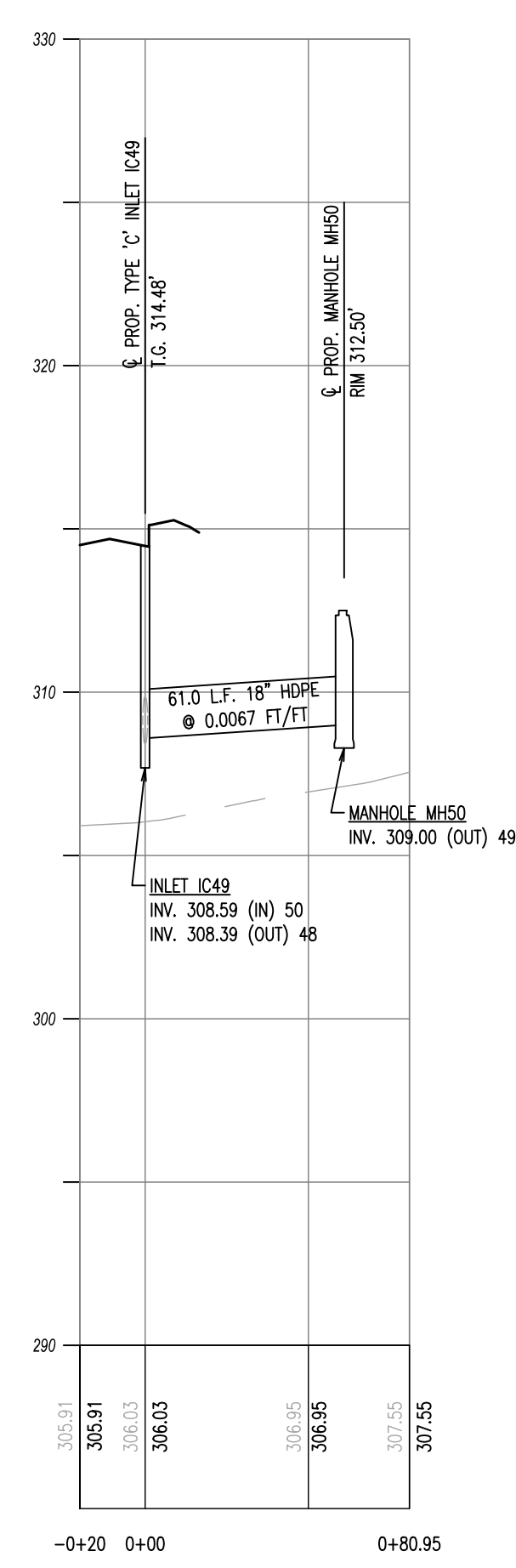
STORM SEWER - IC25 - IM29 PROFILE
HORIZ SCALE: 1"=50'
VERT SCALE: 1"=5'



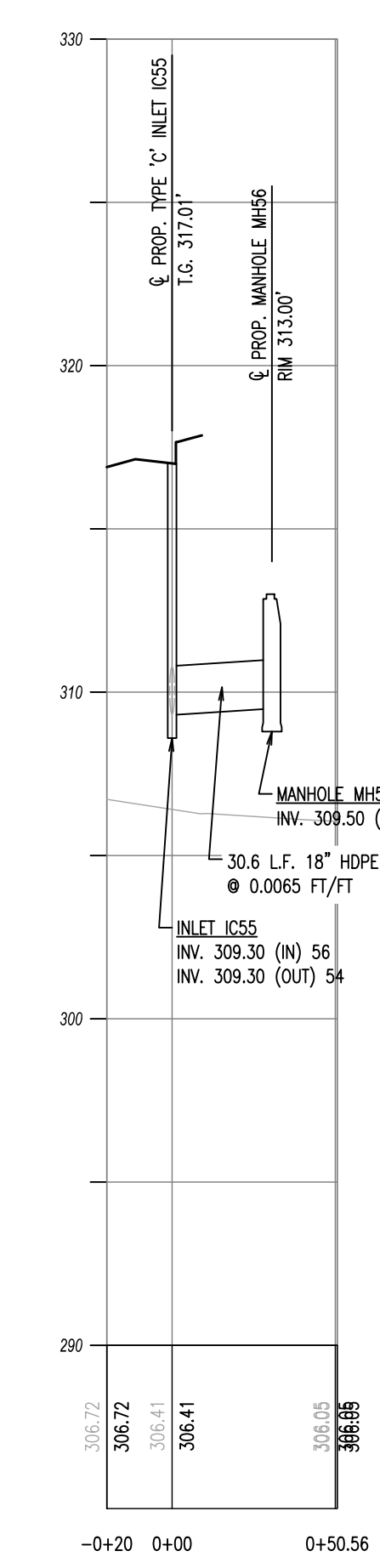
STORM SEWER - IC31 - IM30 PROFILE
HORIZ SCALE: 1"=50'
VERT SCALE: 1"=5'



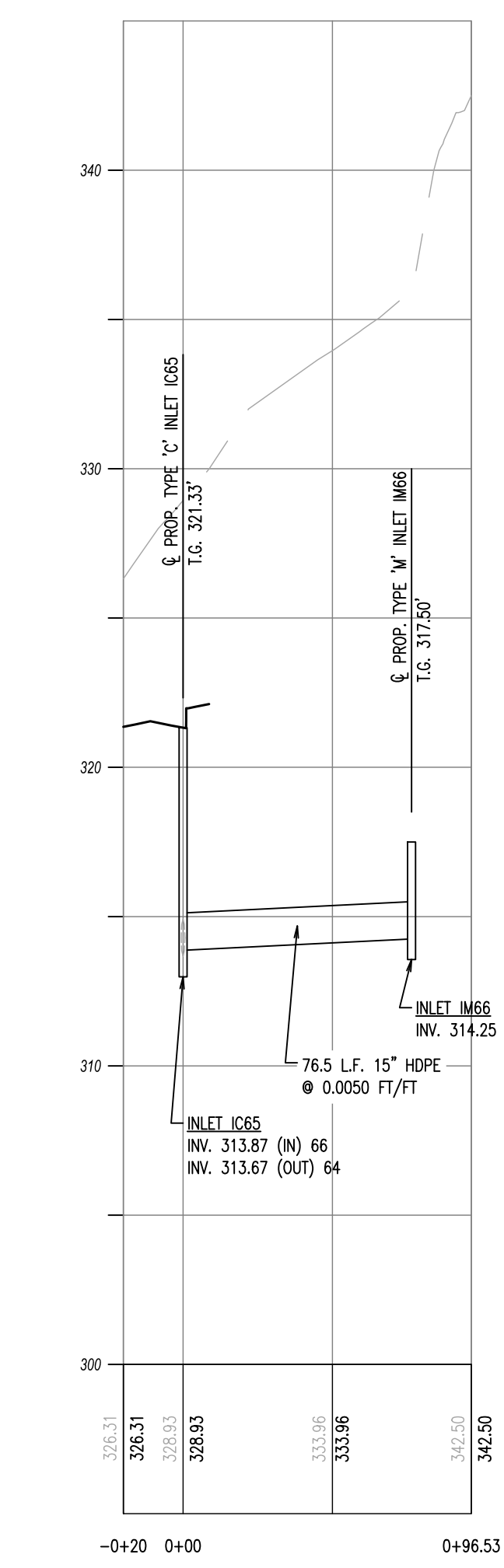
STORM SEWER IC44 - IM45 PROFILE
HORIZ SCALE: 1"=50'
VERT SCALE: 1"=5'



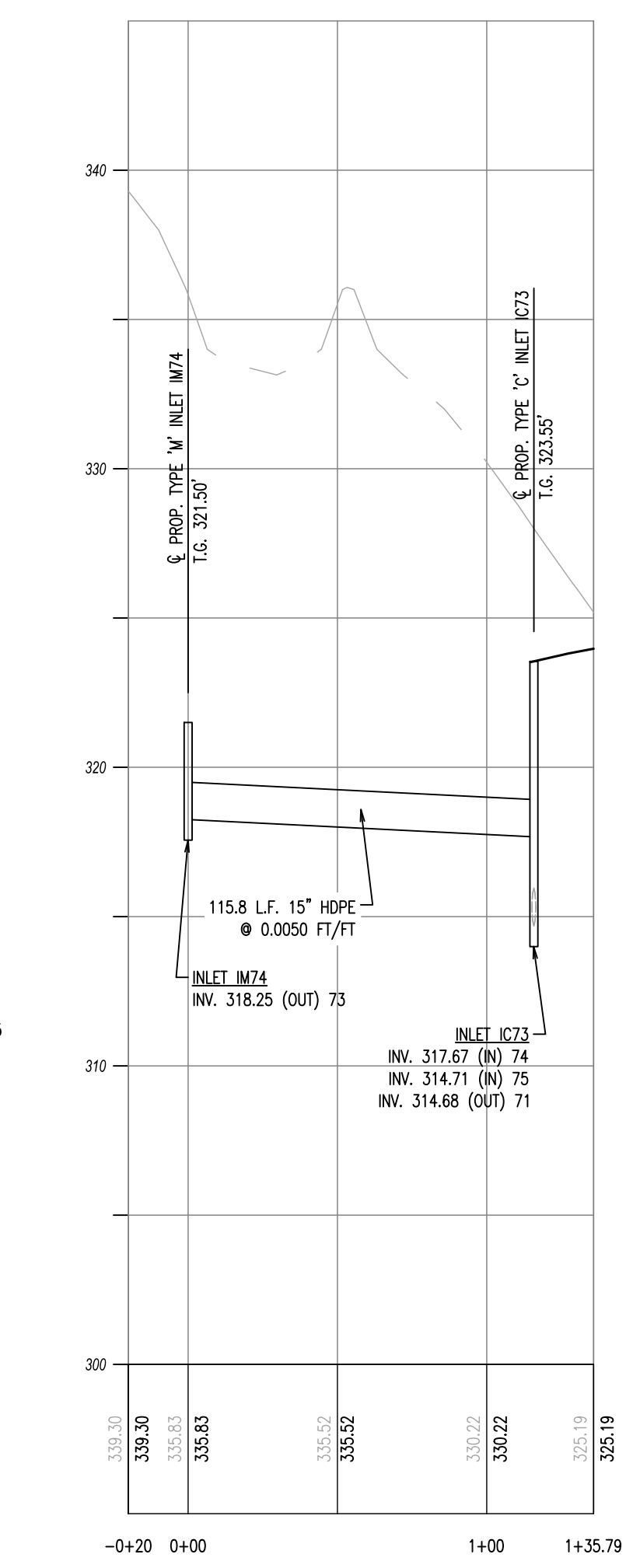
STORM SEWER IC49 - MH50 PROFILE
HORIZ SCALE: 1"=50'
VERT SCALE: 1"=5'



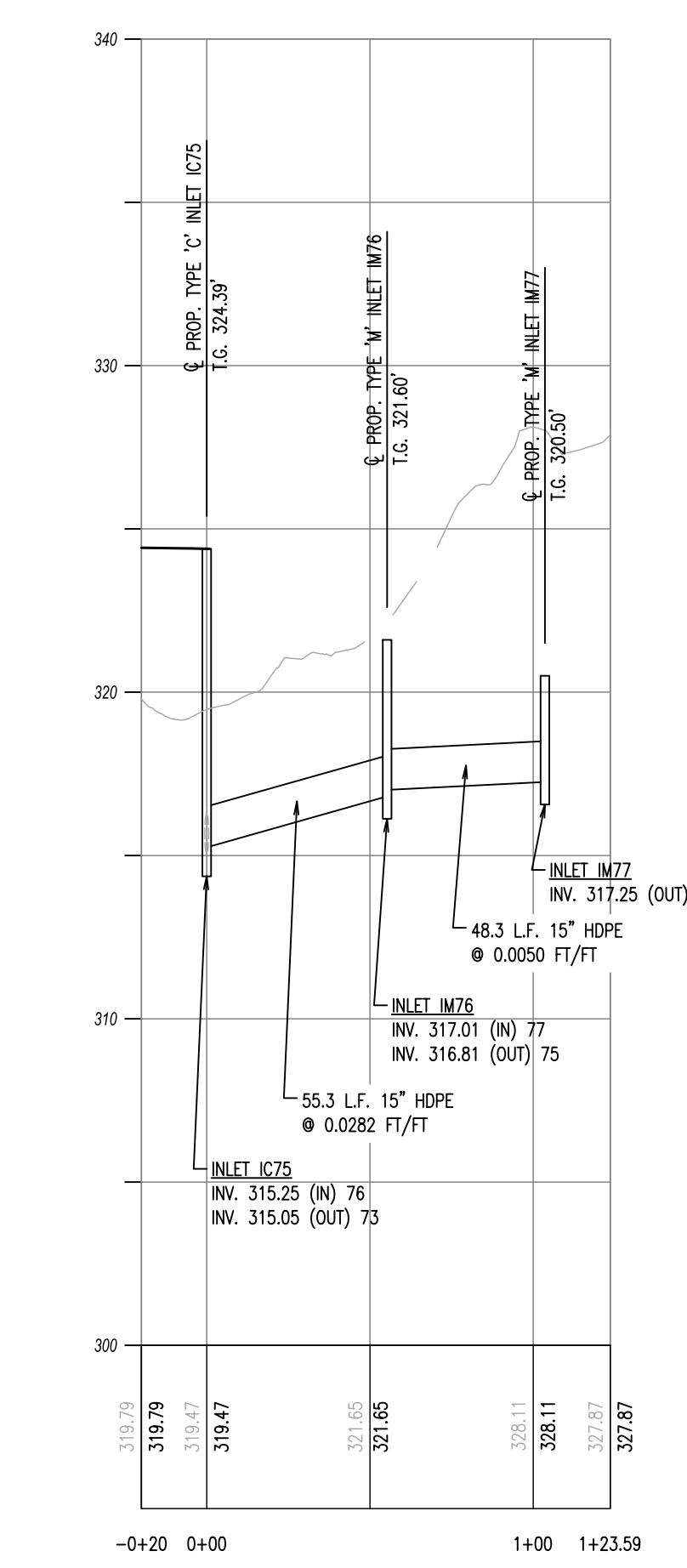
STORM SEWER IC55 - MH56 PROFILE
HORIZ SCALE: 1"=50'
VERT SCALE: 1"=5'



STORM SEWER IC65 - IM66 PROFILE
HORIZ SCALE: 1"=50'
VERT SCALE: 1"=5'



STORM SEWER IM74 - IC73 PROFILE
HORIZ SCALE: 1"=50'
VERT SCALE: 1"=5'



STORM SEWER IC75 - IM77 PROFILE
HORIZ SCALE: 1"=50'
VERT SCALE: 1"=5'

Table with 2 columns: NO., DATE

Table with 2 columns: NO., DATE

PRELIMINARY
PROFILE SHEET
CLIENT: MITCHELL HOMES
PROJECT: SMITH PROPERTY
LOCATION: 548 ROSDALE ROAD
KENNETT TOWNSHIP, CHESTER COUNTY, PA

DATE: 04/30/19
SCALE: AS SHOWN
DRAWN BY: JTE
CHECKED BY: JWB
PROJECT NO.: 3388
CADD FILE: PROFILE SHEET.dwg
PLOTTED: 04/30/19
DRAWING NO.: C07.3
SHEET 22 OF 27