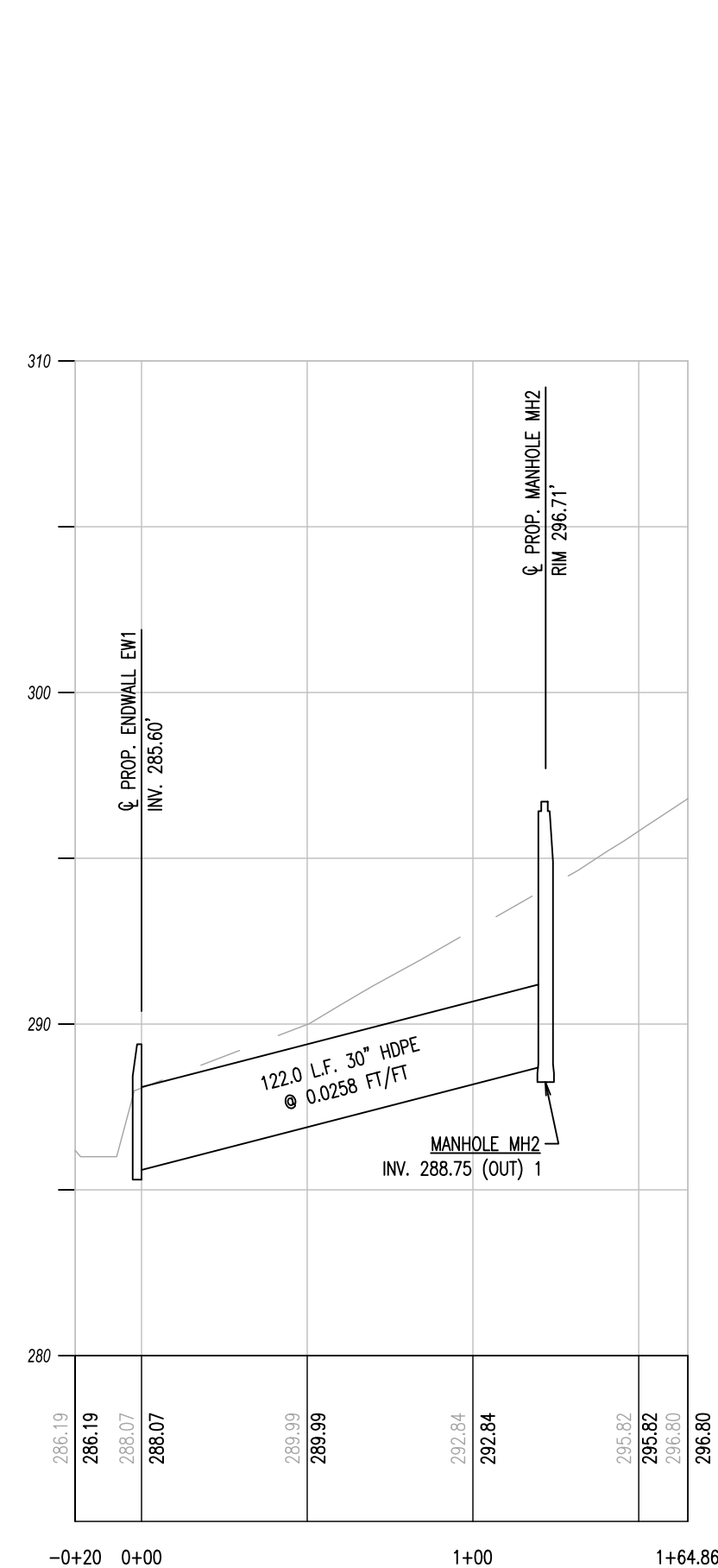


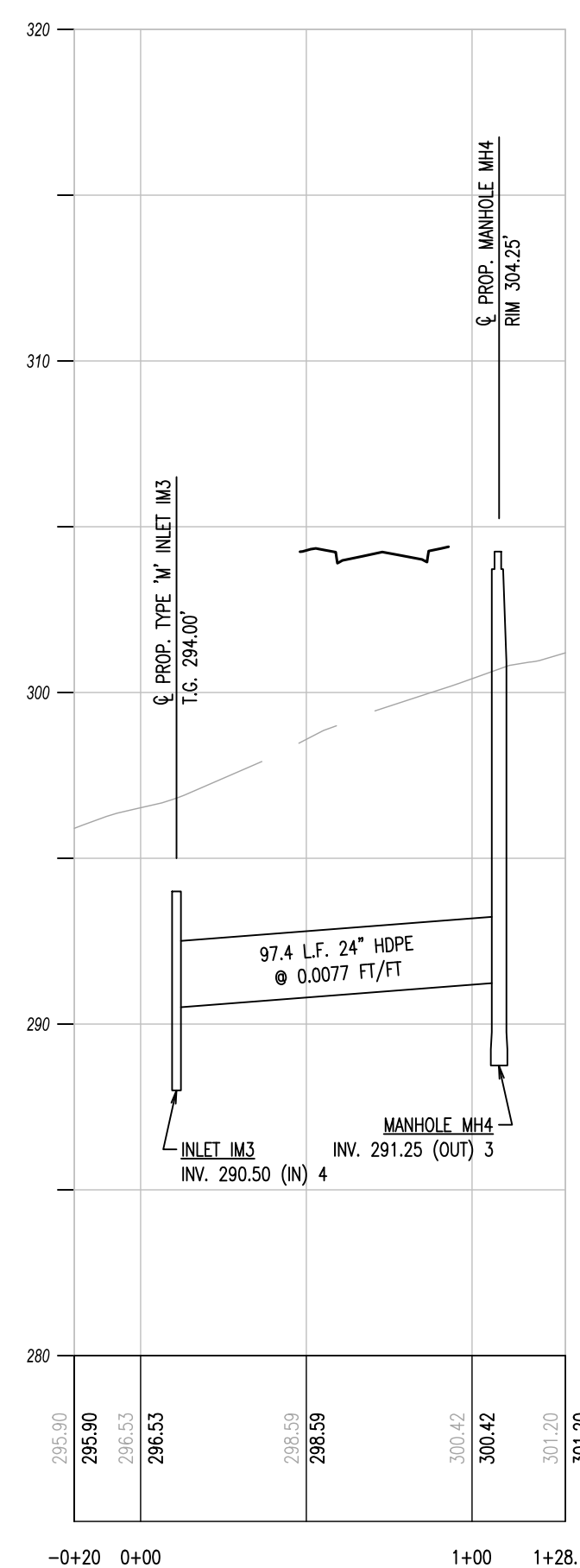
DLHowell

Civil Engineering  
Land Planning  
Environmental  
www.DLHowell.com

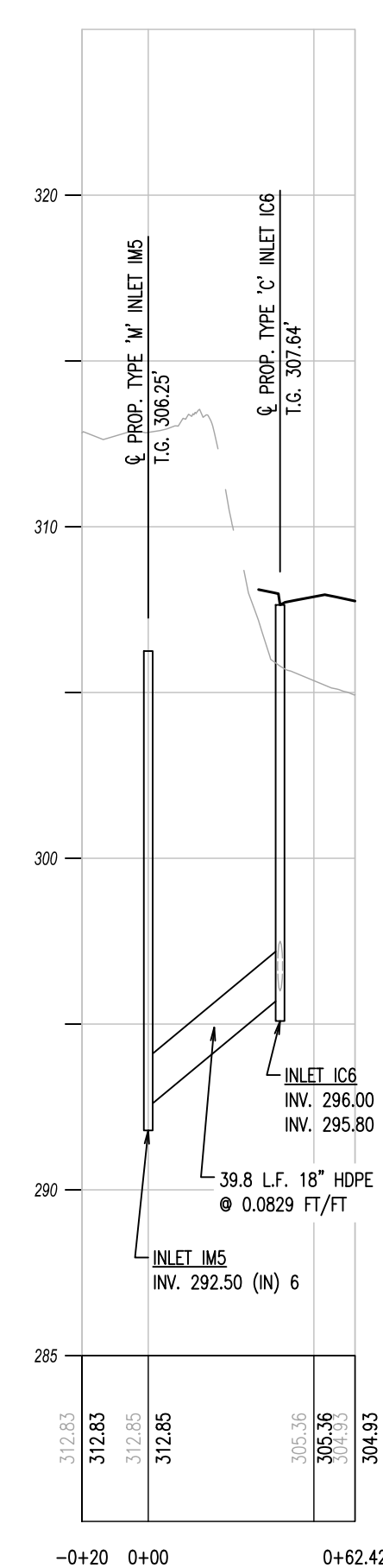
1250 Wrights Lane  
West Chester, PA 19380  
Phone: (610) 918-9002  
Fax: (610) 918-9003



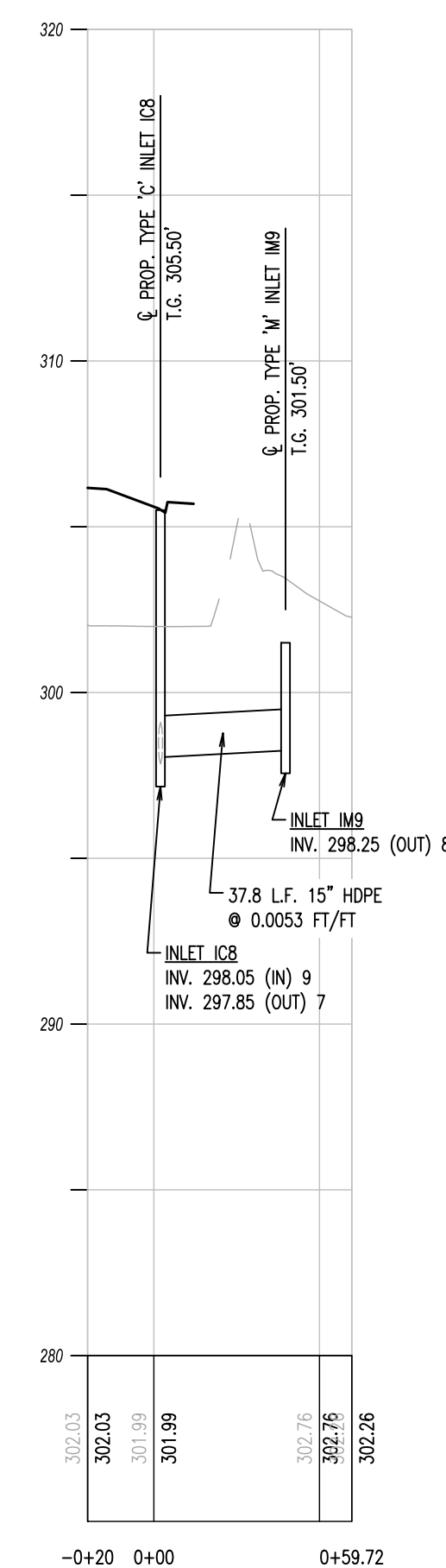
**STORM SEWER EW1 - MH2 PROFILE**  
HORIZ SCALE: 1"=50'  
VERT SCALE: 1"=5'



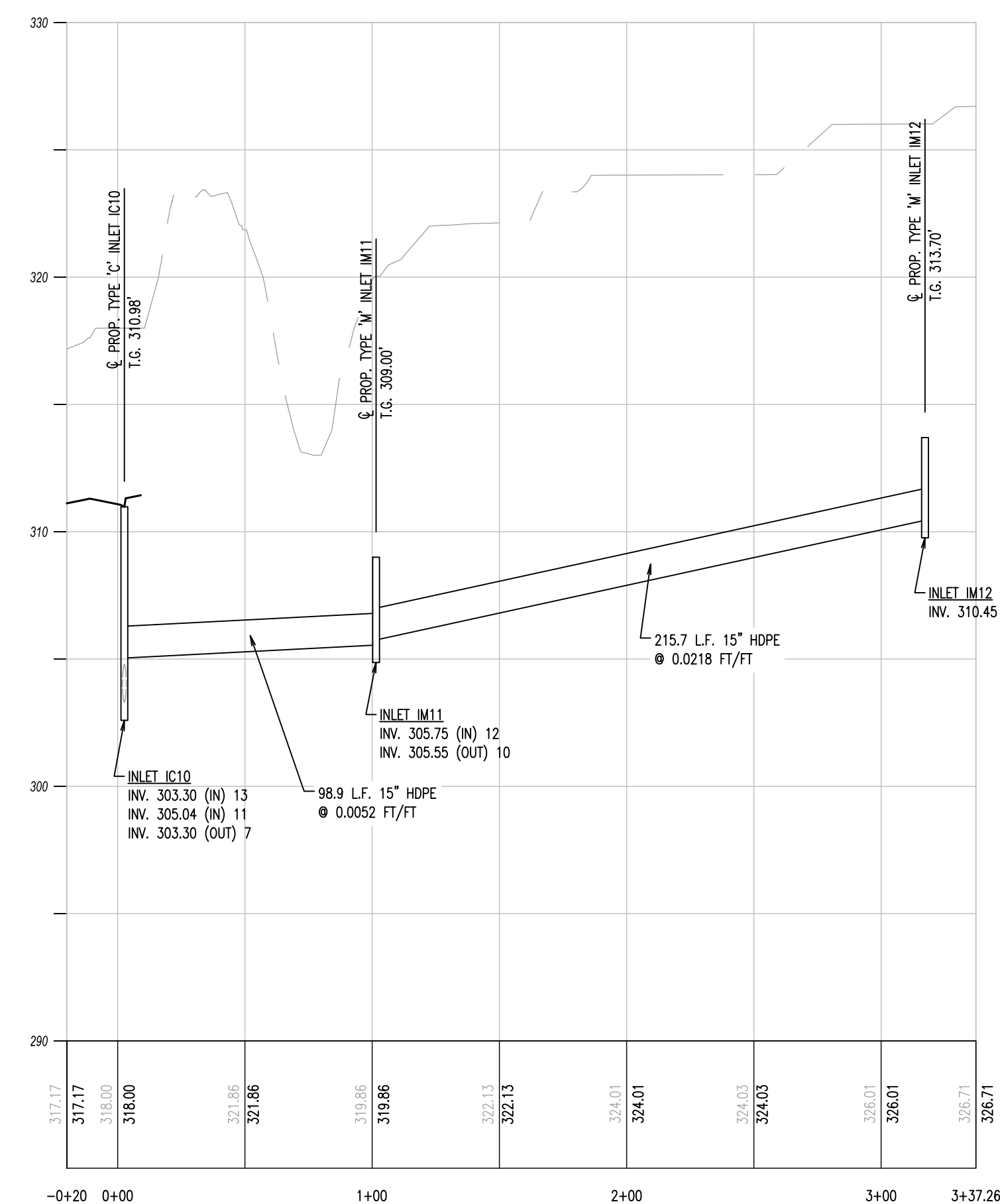
**STORM SEWER IM3 - MH4 PROFILE**  
HORIZ SCALE: 1"=50'  
VERT SCALE: 1"=5'



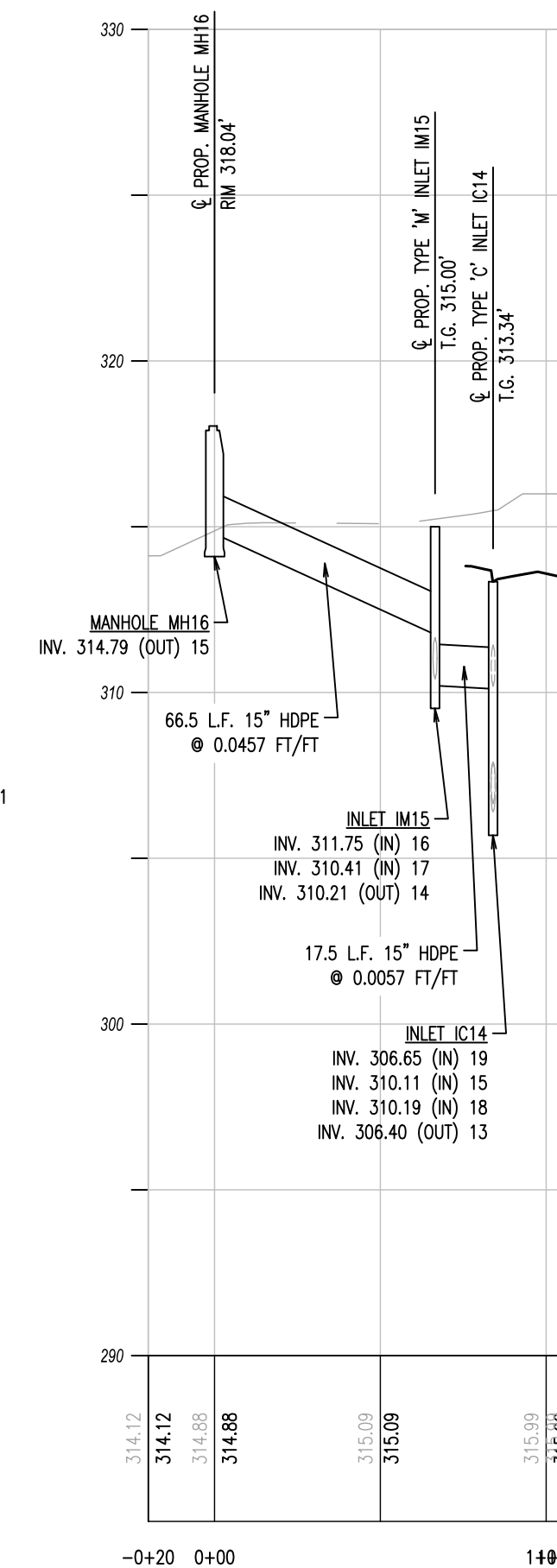
**STORM SEWER IM5 - IC6 PROFILE**  
HORIZ SCALE: 1"=50'  
VERT SCALE: 1"=5'



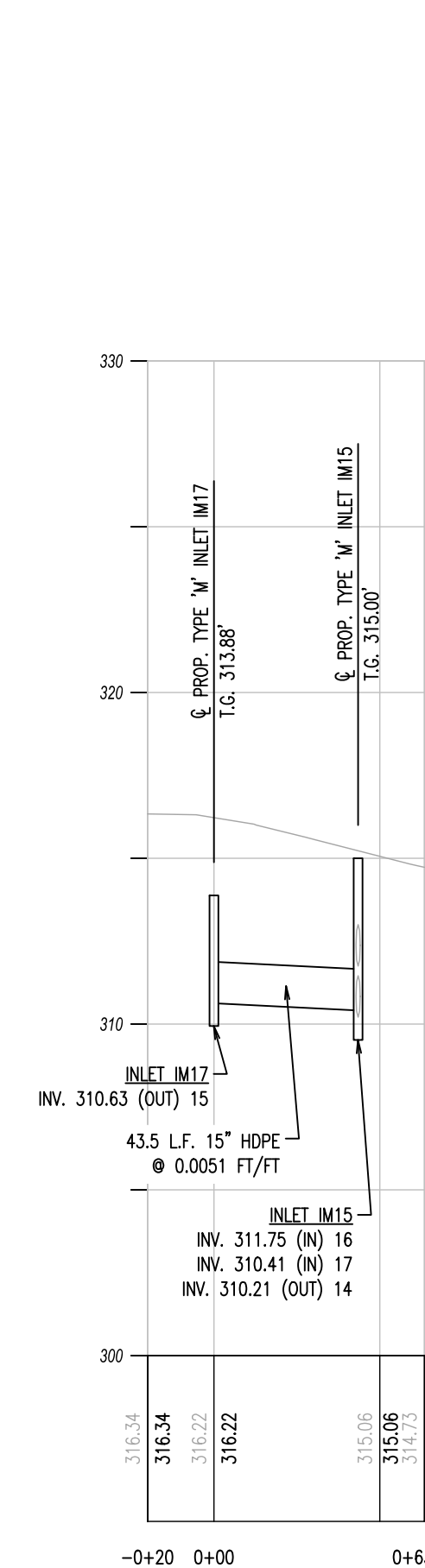
**STORM SEWER IC8 - IM9 PROFILE**  
HORIZ SCALE: 1"=50'  
VERT SCALE: 1"=5'



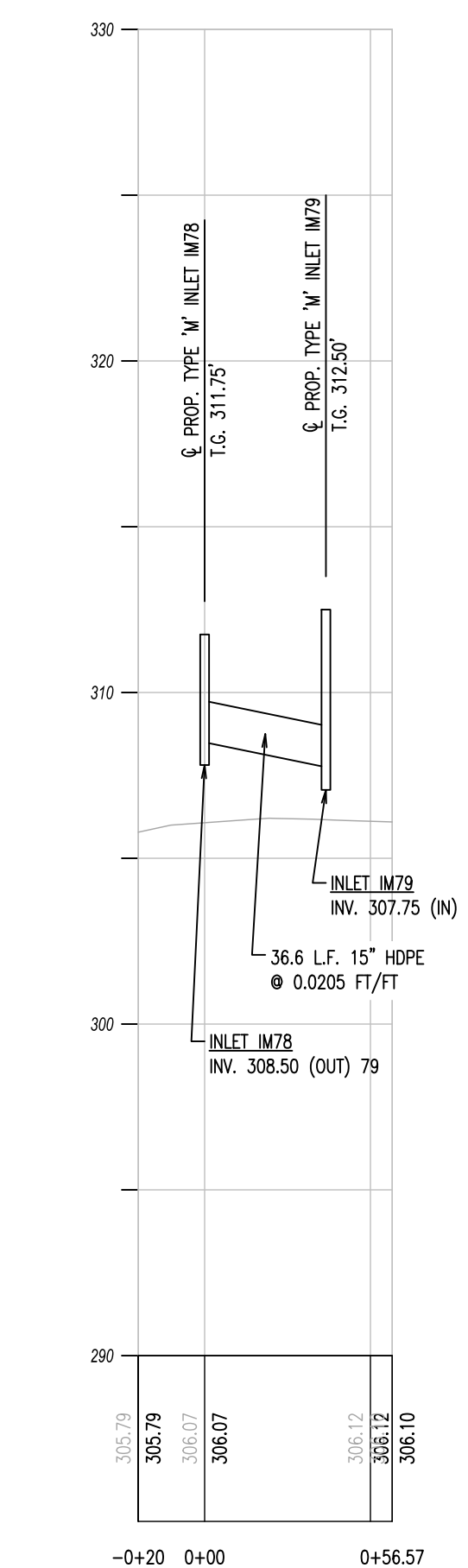
**STORM SEWER IC10 - IM12 PROFILE**  
HORIZ SCALE: 1"=50'  
VERT SCALE: 1"=5'



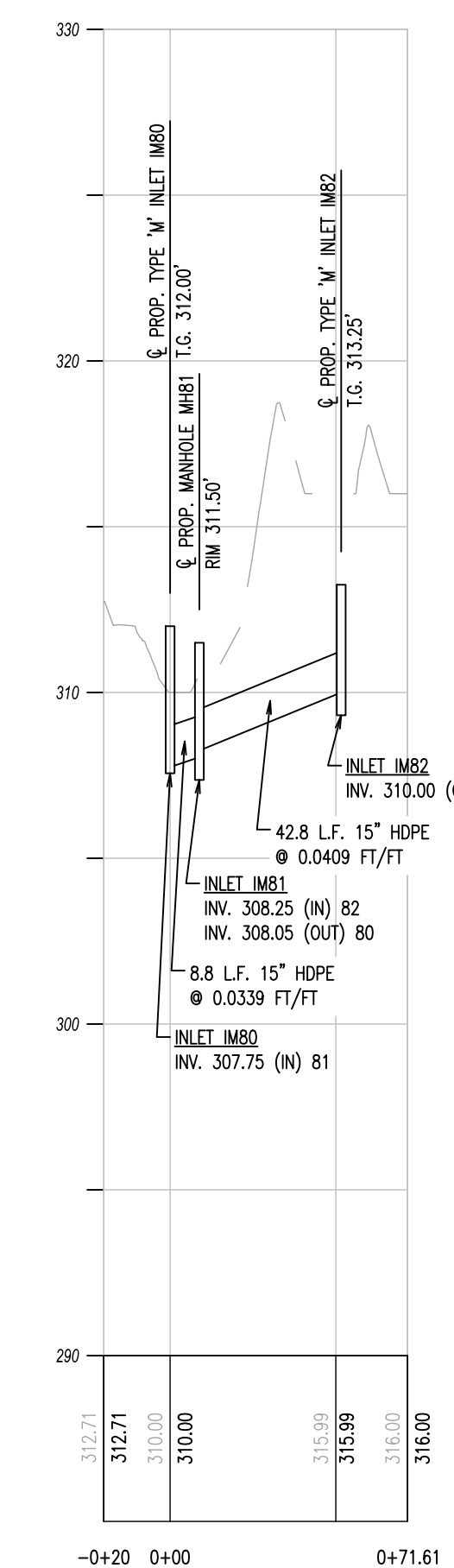
**STORM SEWER MH16 - IC14 PROFILE**  
HORIZ SCALE: 1"=50'  
VERT SCALE: 1"=5'



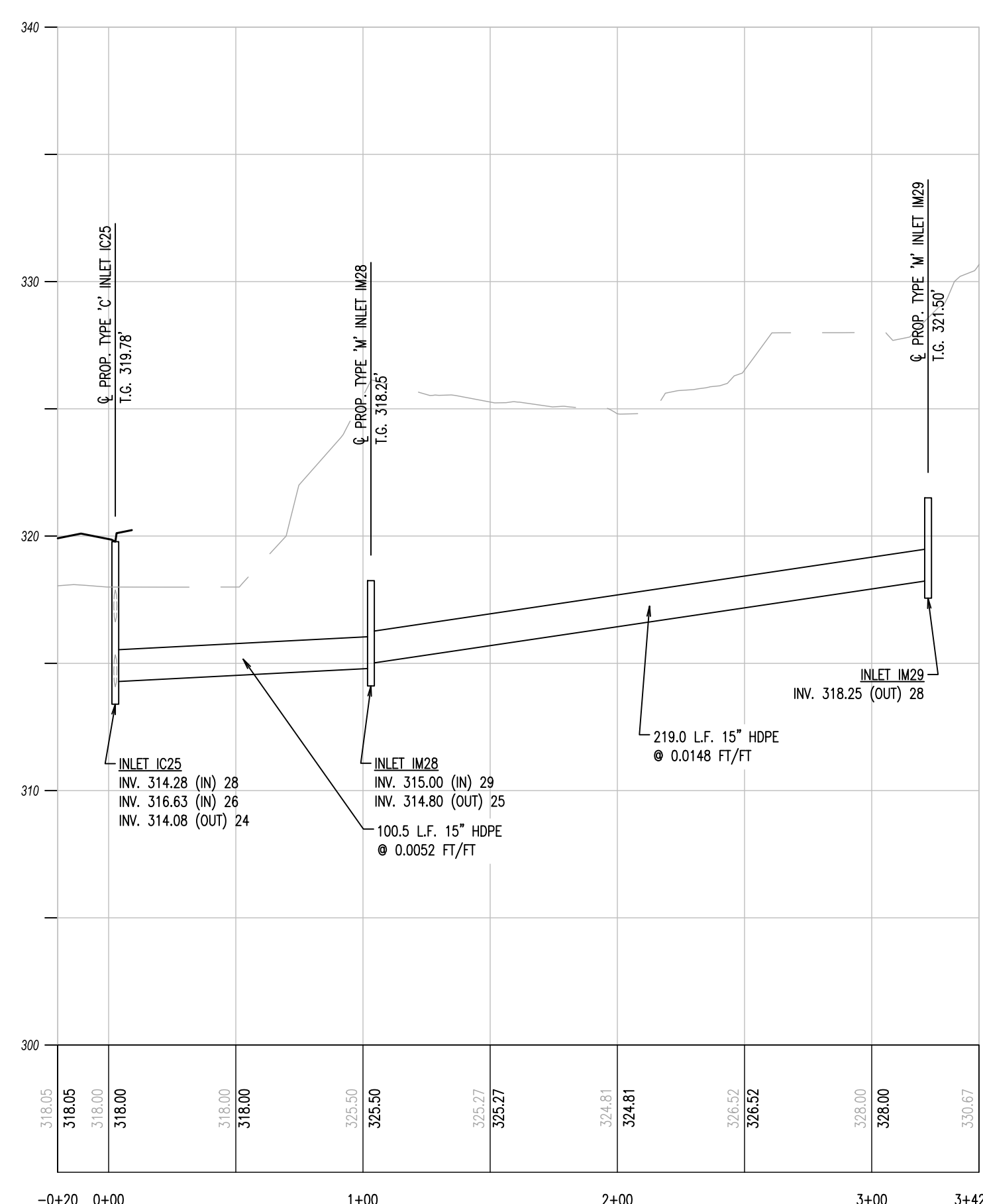
**STORM SEWER IM17 - IM15 PROFILE**  
HORIZ SCALE: 1"=50'  
VERT SCALE: 1"=5'



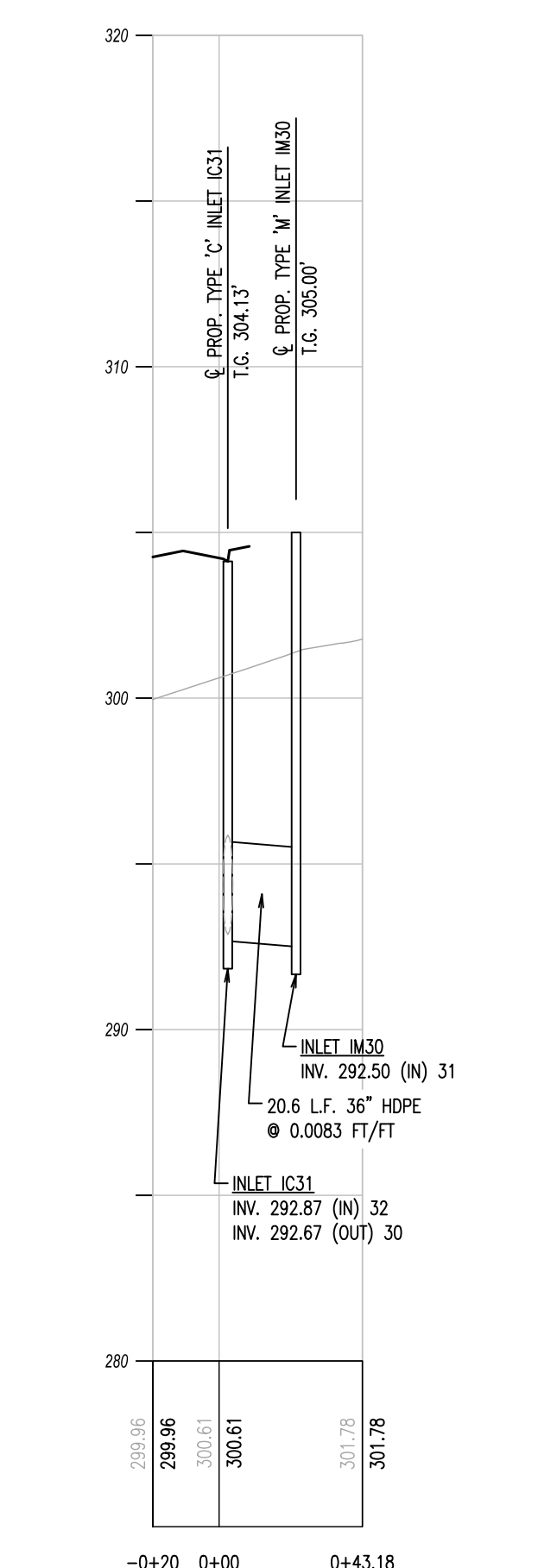
**STORM SEWER IM78 - IM79 PROFILE**  
HORIZ SCALE: 1"=50'  
VERT SCALE: 1"=5'



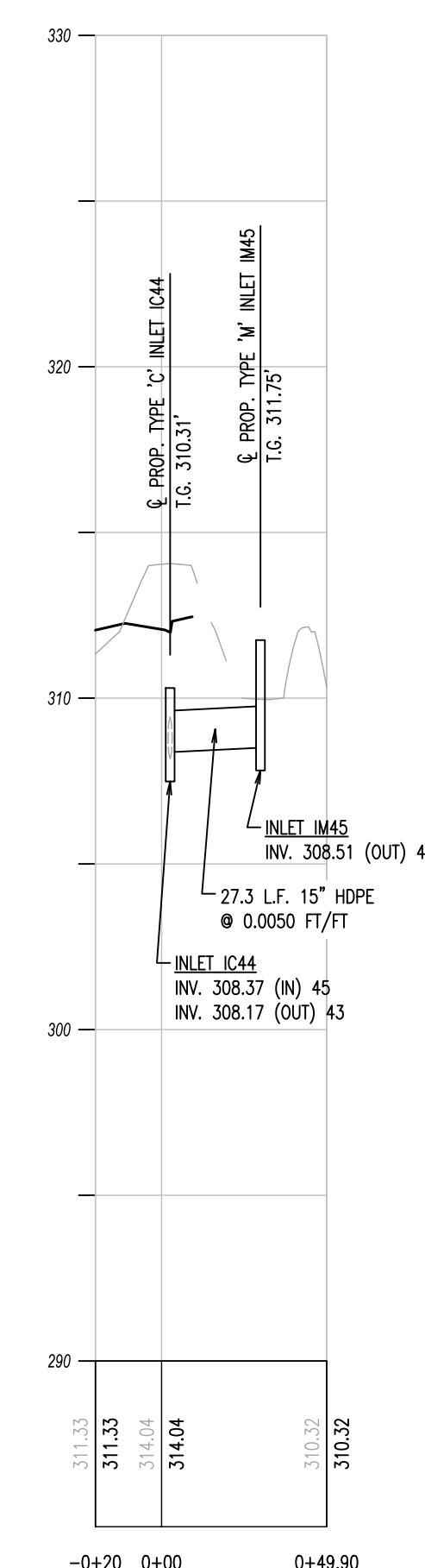
**STORM SEWER IM80 - IM82 PROFILE**  
HORIZ SCALE: 1"=50'  
VERT SCALE: 1"=5'



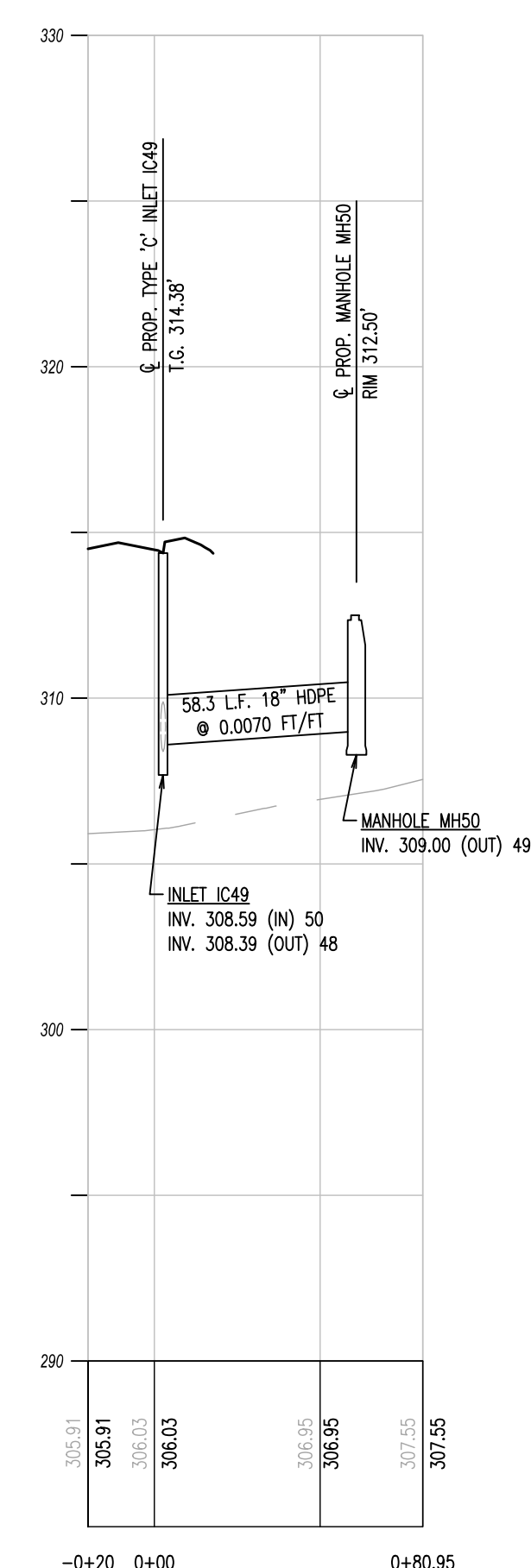
**STORM SEWER - IC25 - IM29 PROFILE**  
HORIZ SCALE: 1"=50'  
VERT SCALE: 1"=5'



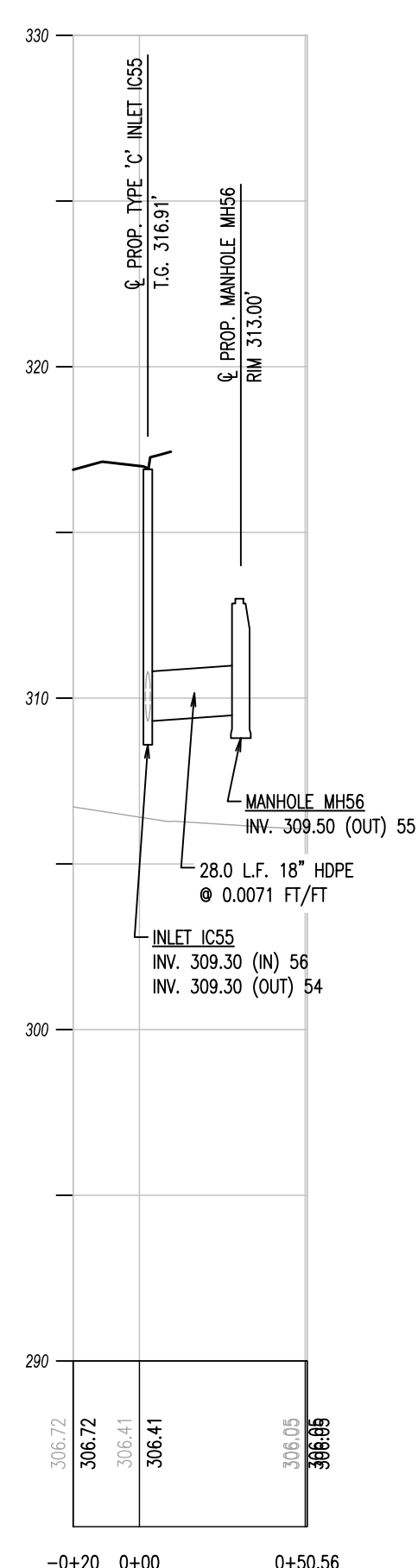
**STORM SEWER - IC31 - IM30 PROFILE**  
HORIZ SCALE: 1"=50'  
VERT SCALE: 1"=5'



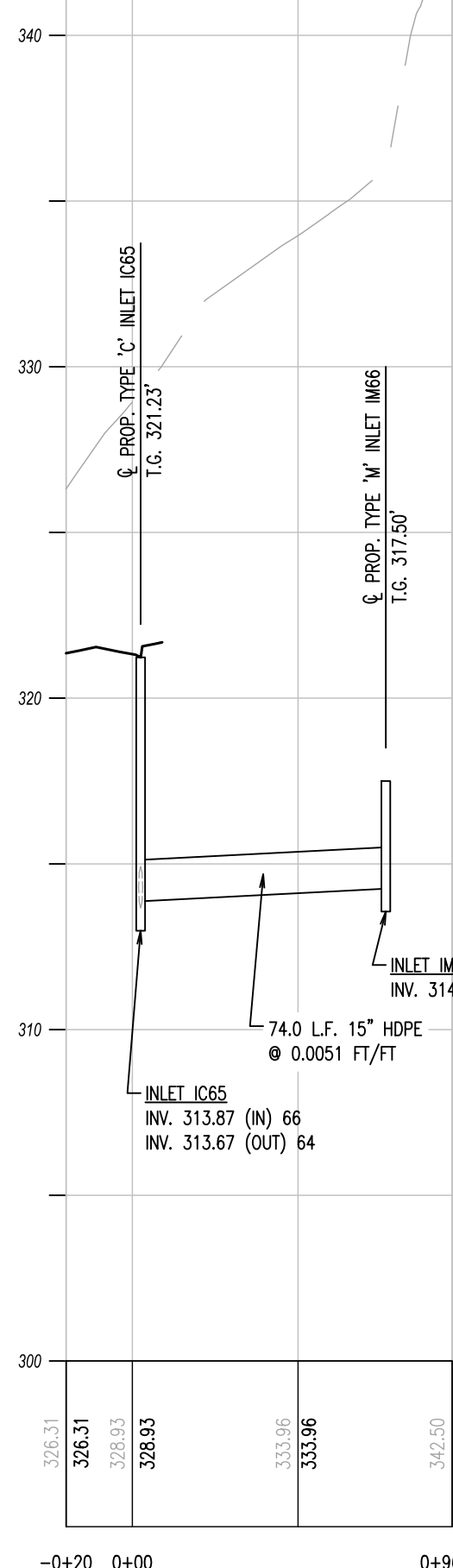
**STORM SEWER IC44 - IM45 PROFILE**  
HORIZ SCALE: 1"=50'  
VERT SCALE: 1"=5'



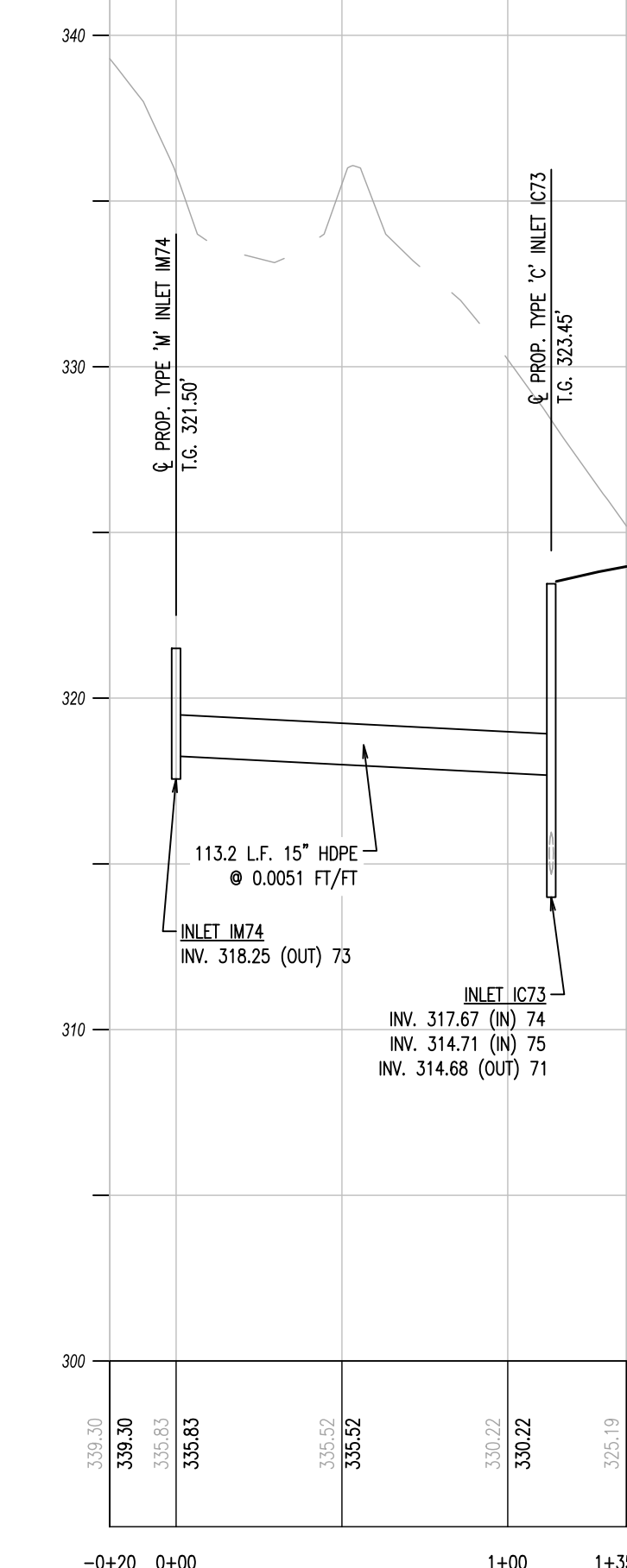
**STORM SEWER IC49 - MH50 PROFILE**  
HORIZ SCALE: 1"=50'  
VERT SCALE: 1"=5'



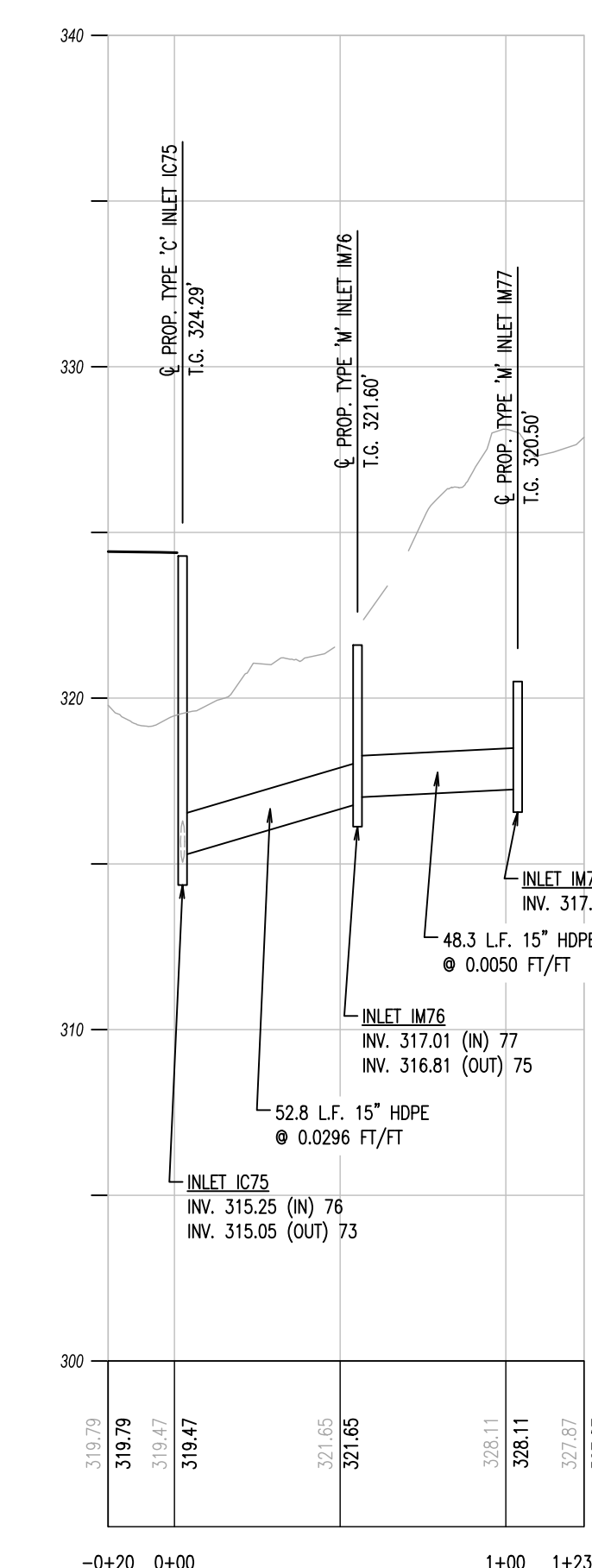
**STORM SEWER IC55 - MH56 PROFILE**  
HORIZ SCALE: 1"=50'  
VERT SCALE: 1"=5'



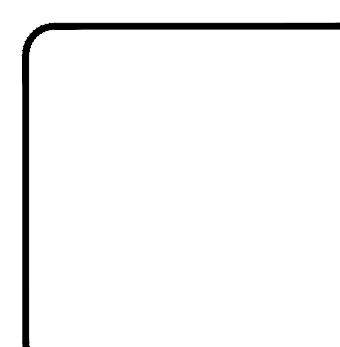
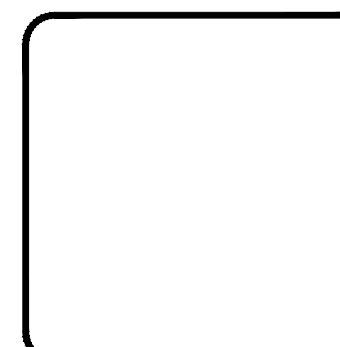
**STORM SEWER IC65 - IM66 PROFILE**  
HORIZ SCALE: 1"=50'  
VERT SCALE: 1"=5'



**STORM SEWER IM74 - IC73 PROFILE**  
HORIZ SCALE: 1"=50'  
VERT SCALE: 1"=5'



**STORM SEWER IC75 - IM77 PROFILE**  
HORIZ SCALE: 1"=50'  
VERT SCALE: 1"=5'



NO.	DATE	DESCRIPTION
1	07/15/19	REVISED PER TOWNSHIP CONSULTANT REVIEW LETTERS.

**PRELIMINARY  
PROFILE SHEET**

CLIENT: MITCHELL HOMES  
PROJECT: SMITH PROPERTY  
LOCATION: 548 ROSDALE ROAD  
KENNETT TOWNSHIP, CHESTER COUNTY, PA

DATE:	04/30/19
SCALE:	AS SHOWN
DRAWN BY:	JTE
CHECKED BY:	JWB
PROJECT NO.:	3388
CAD FILE:	07 Profiles and Details.dwg
PLOTTED:	7/15/19
DRAWING NO.:	C07.3
SHEET:	24 of 31