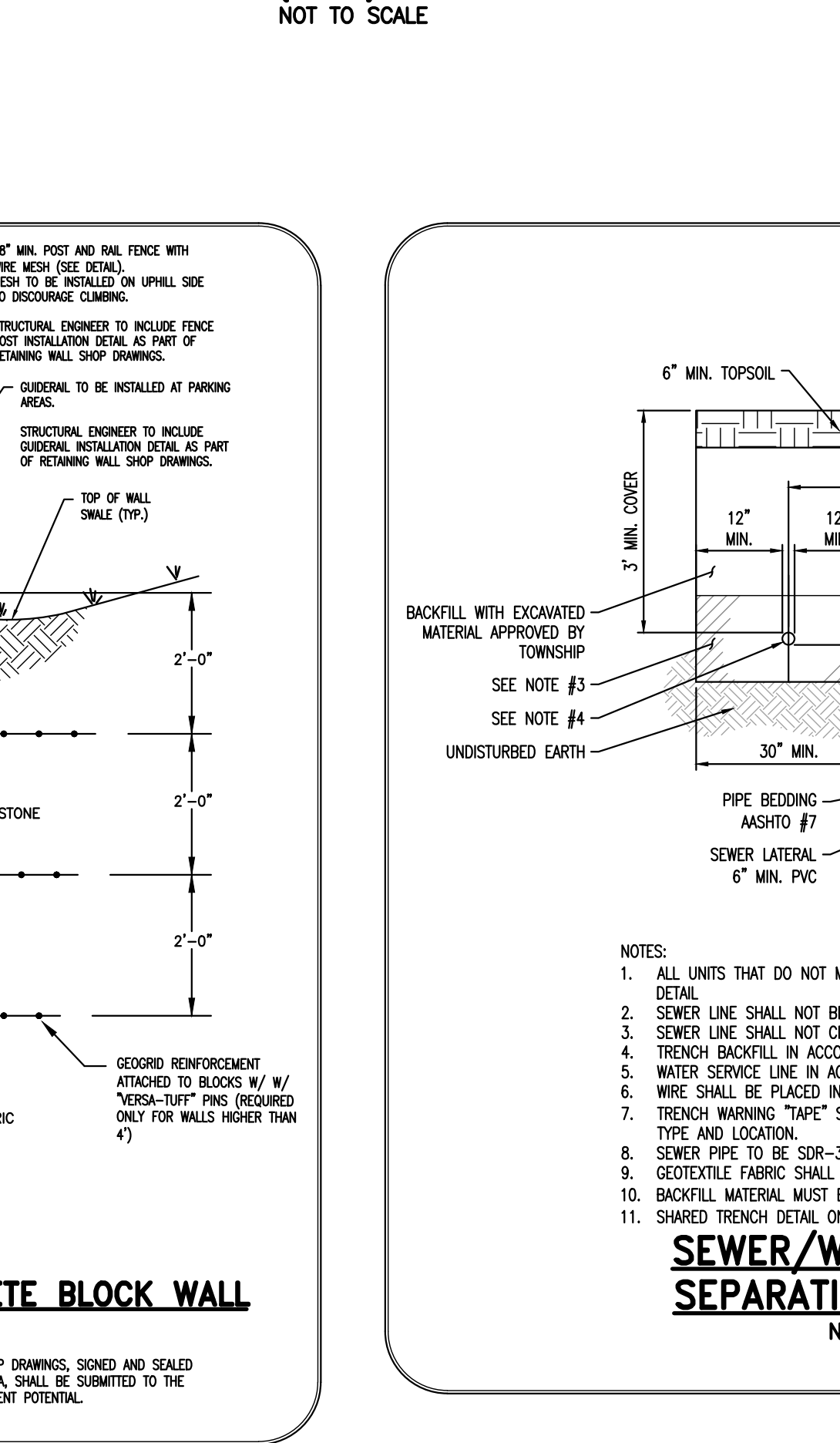
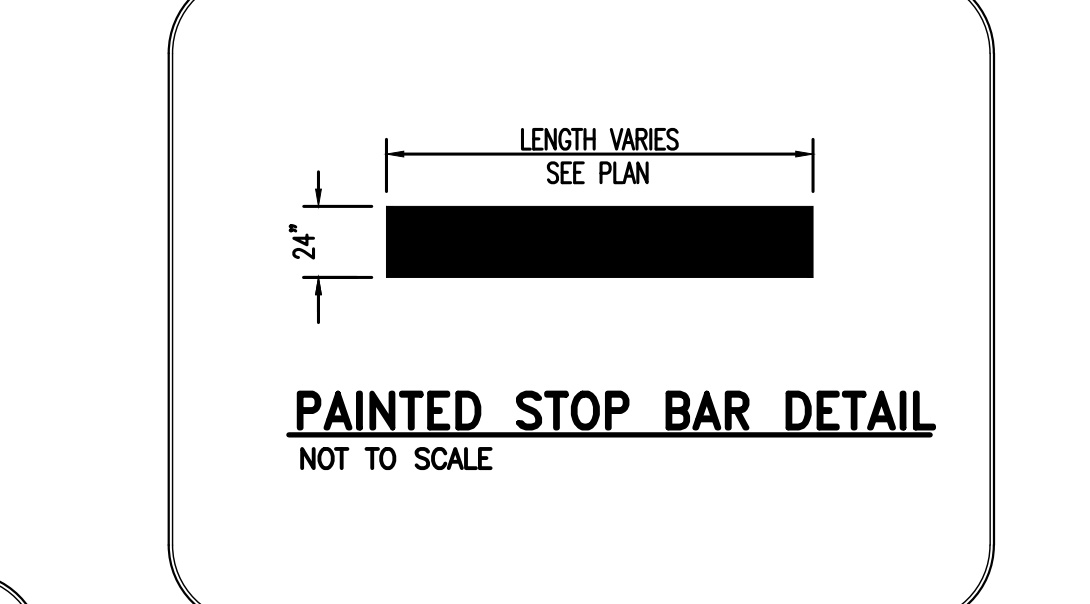
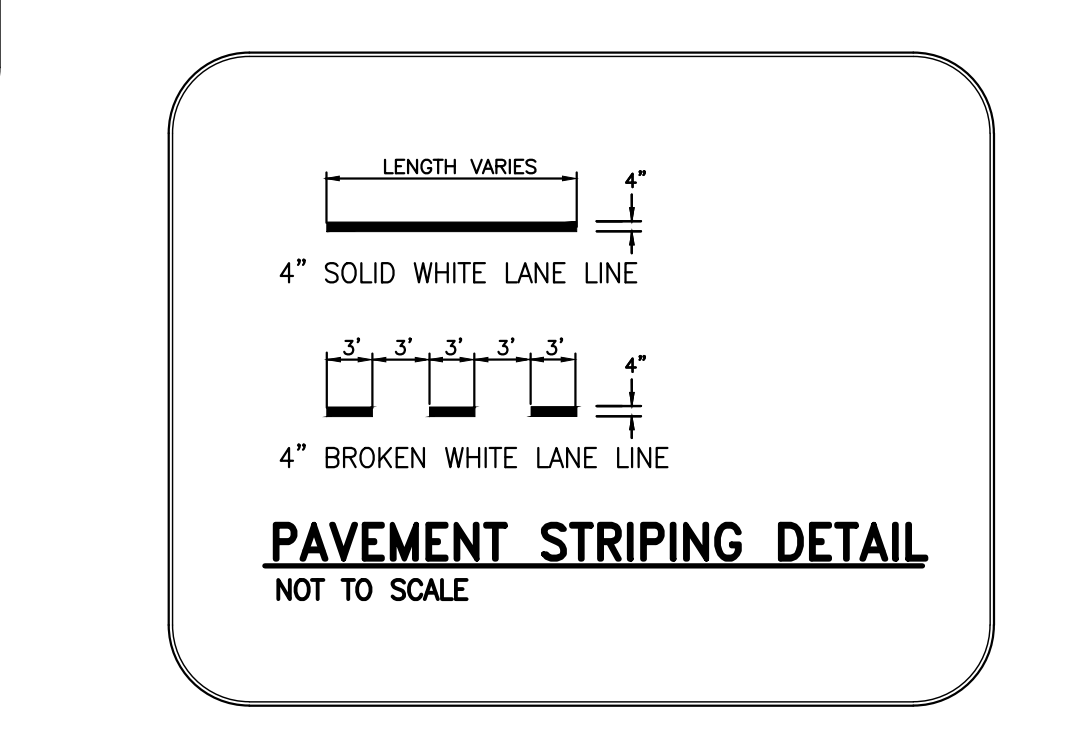
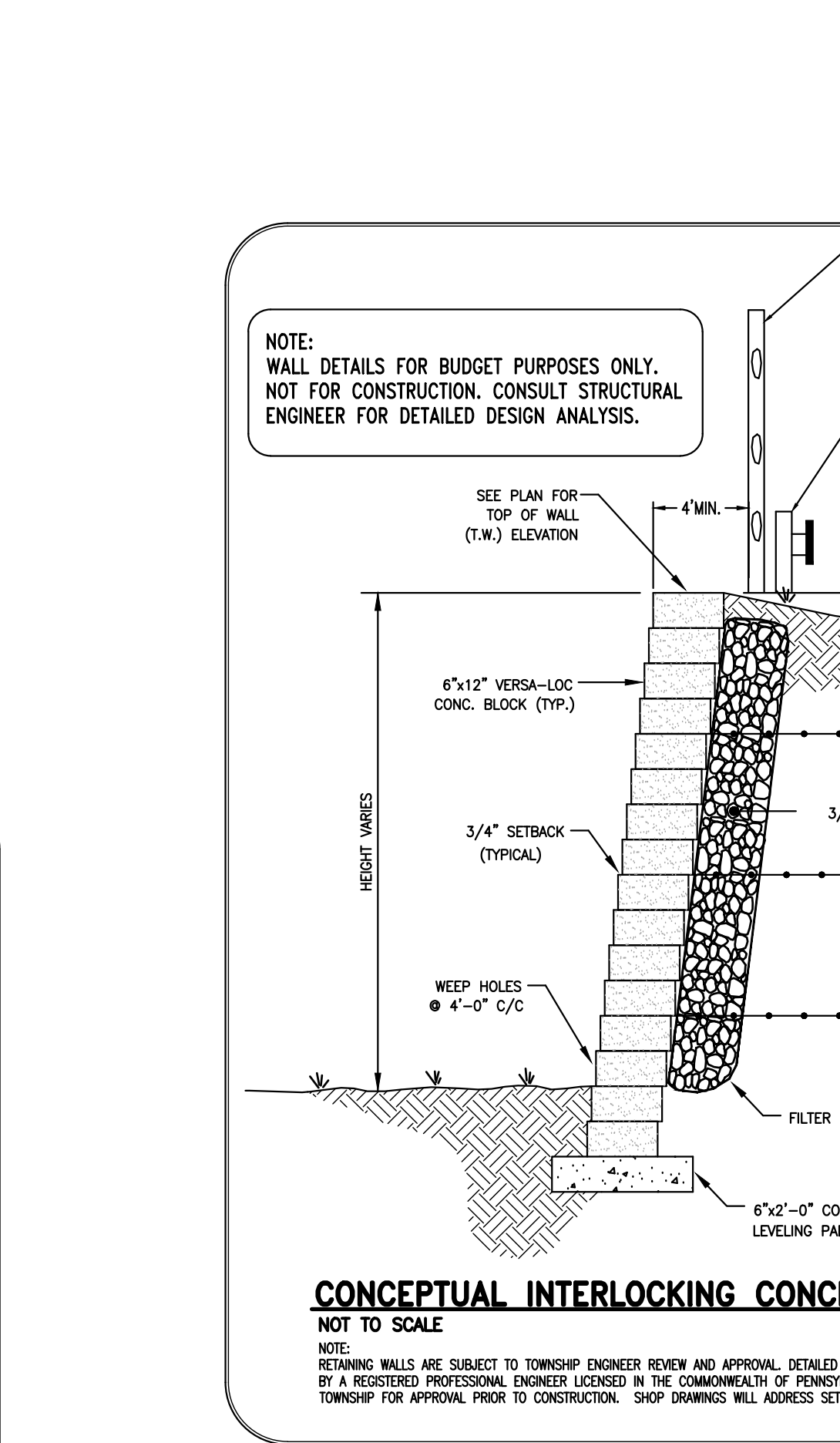
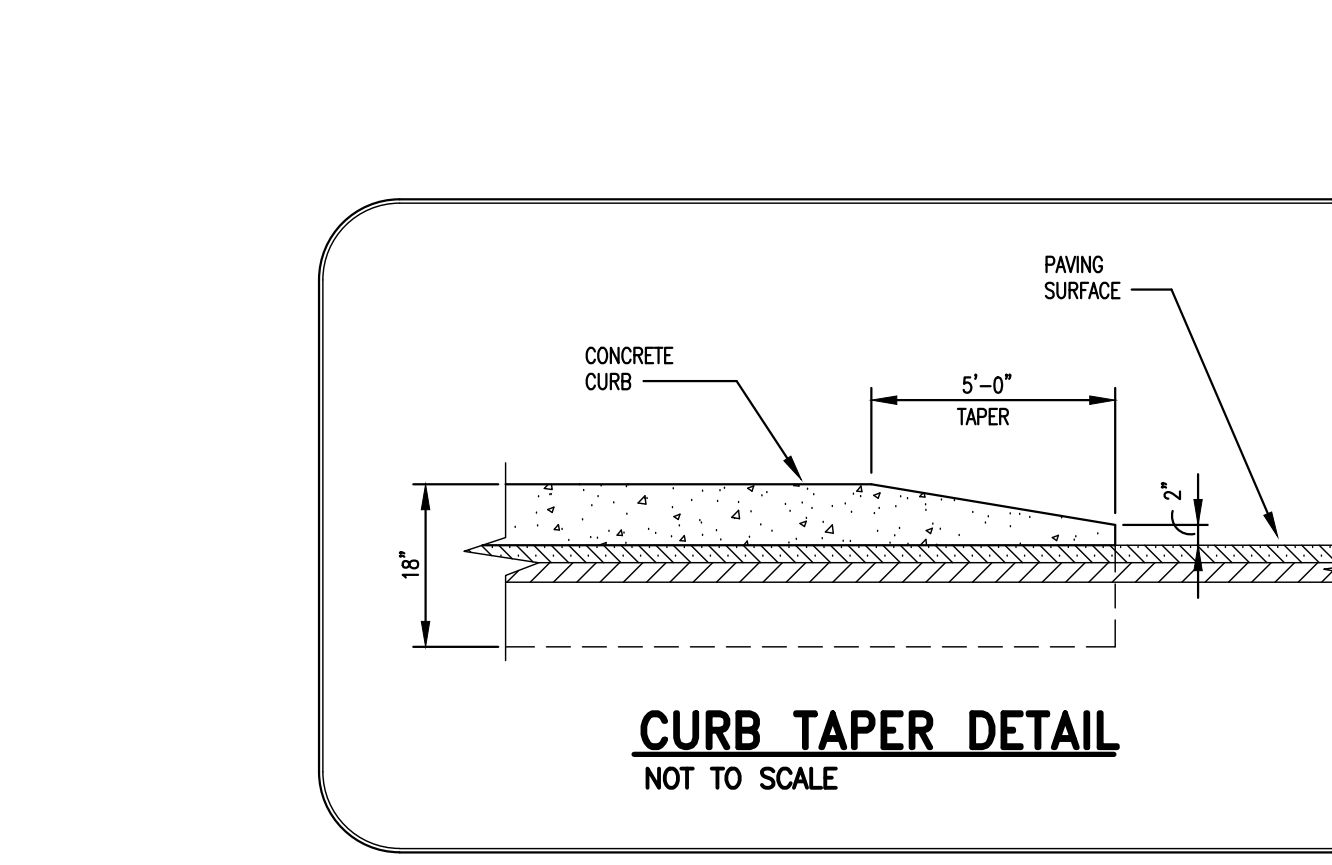
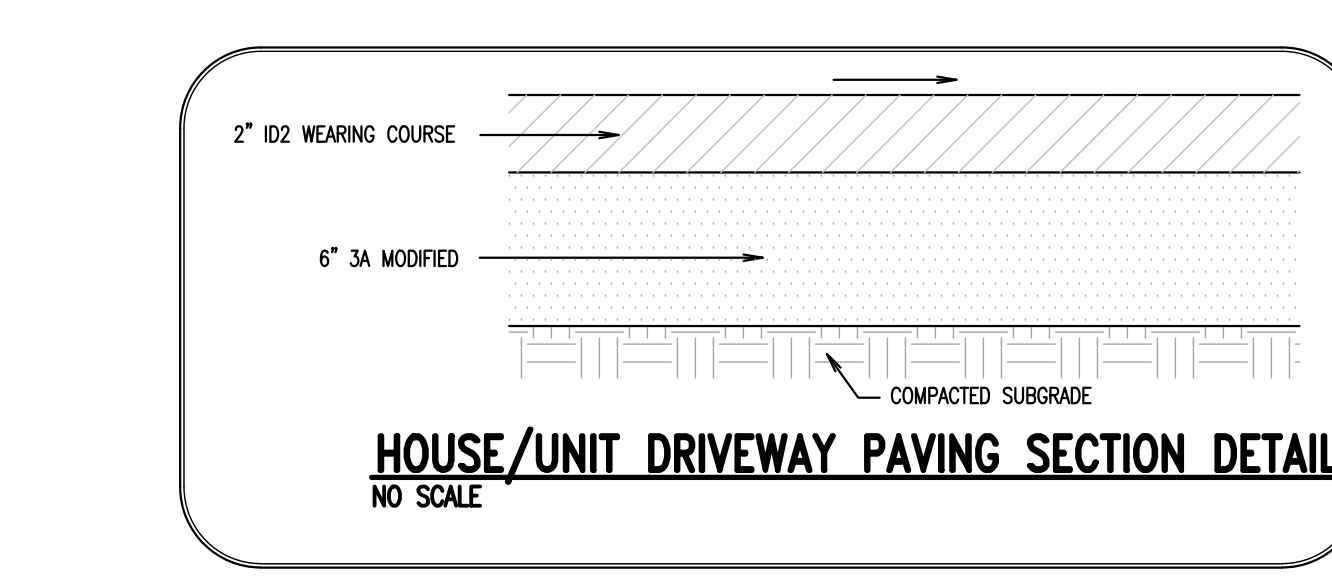
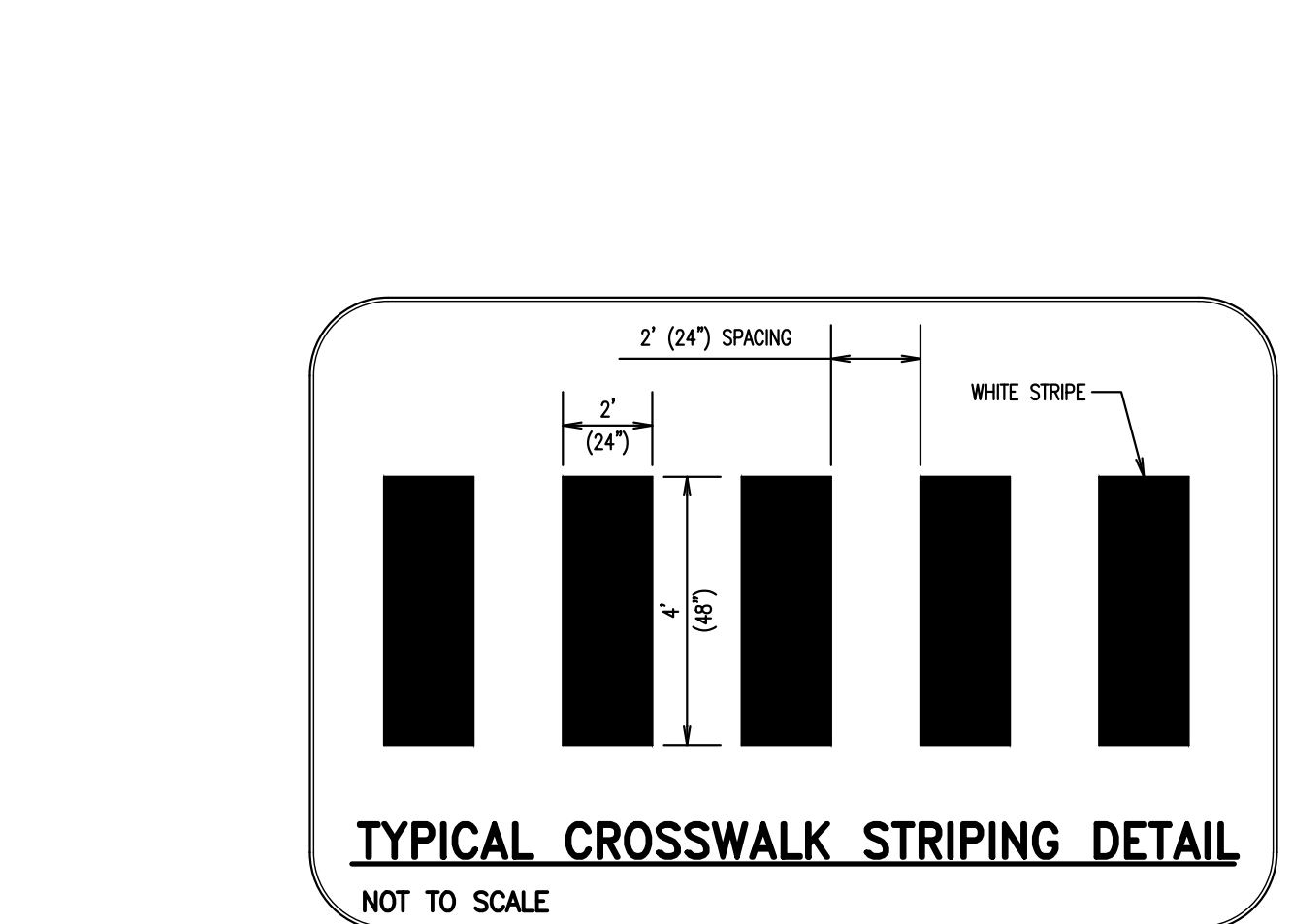
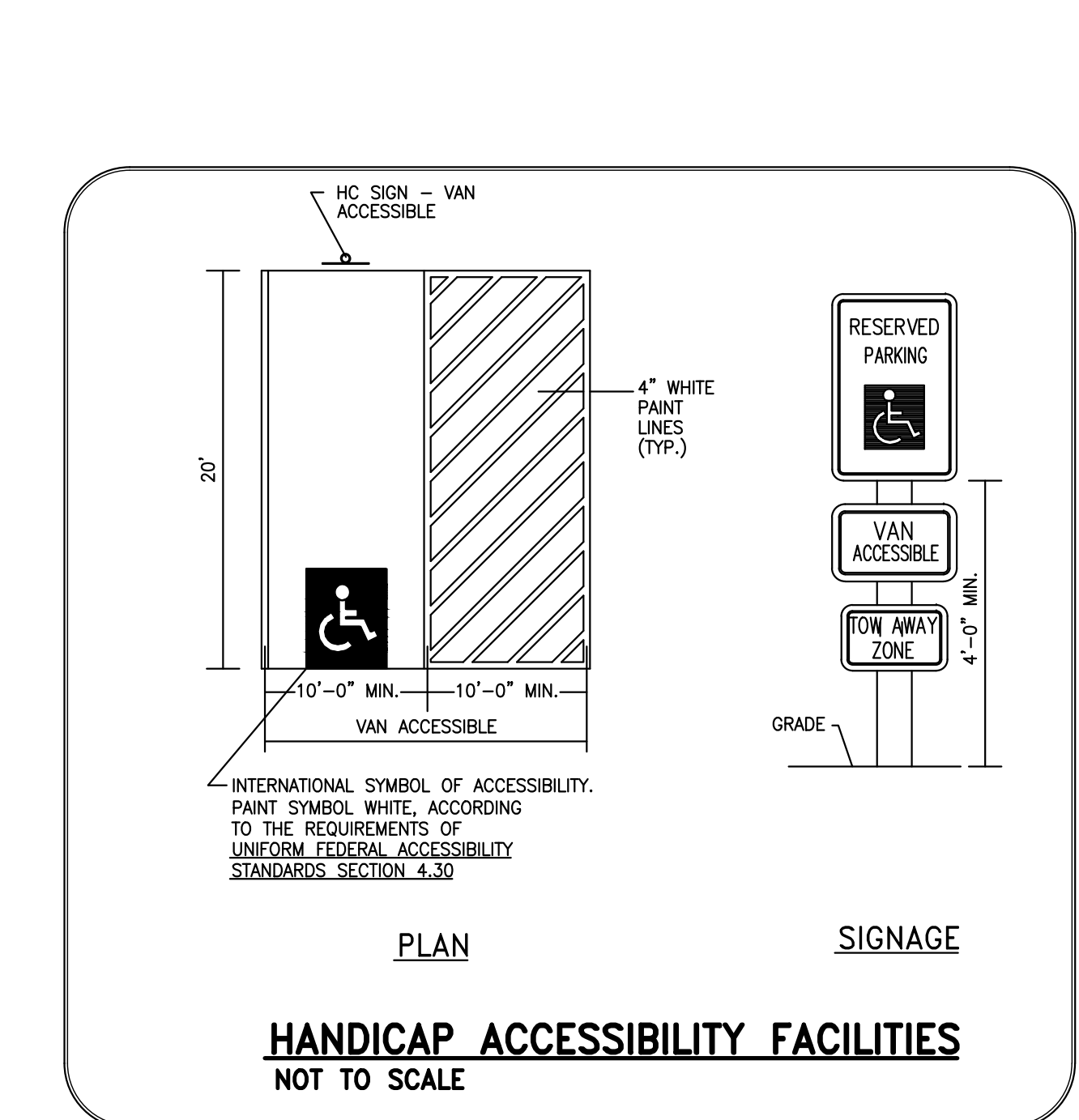
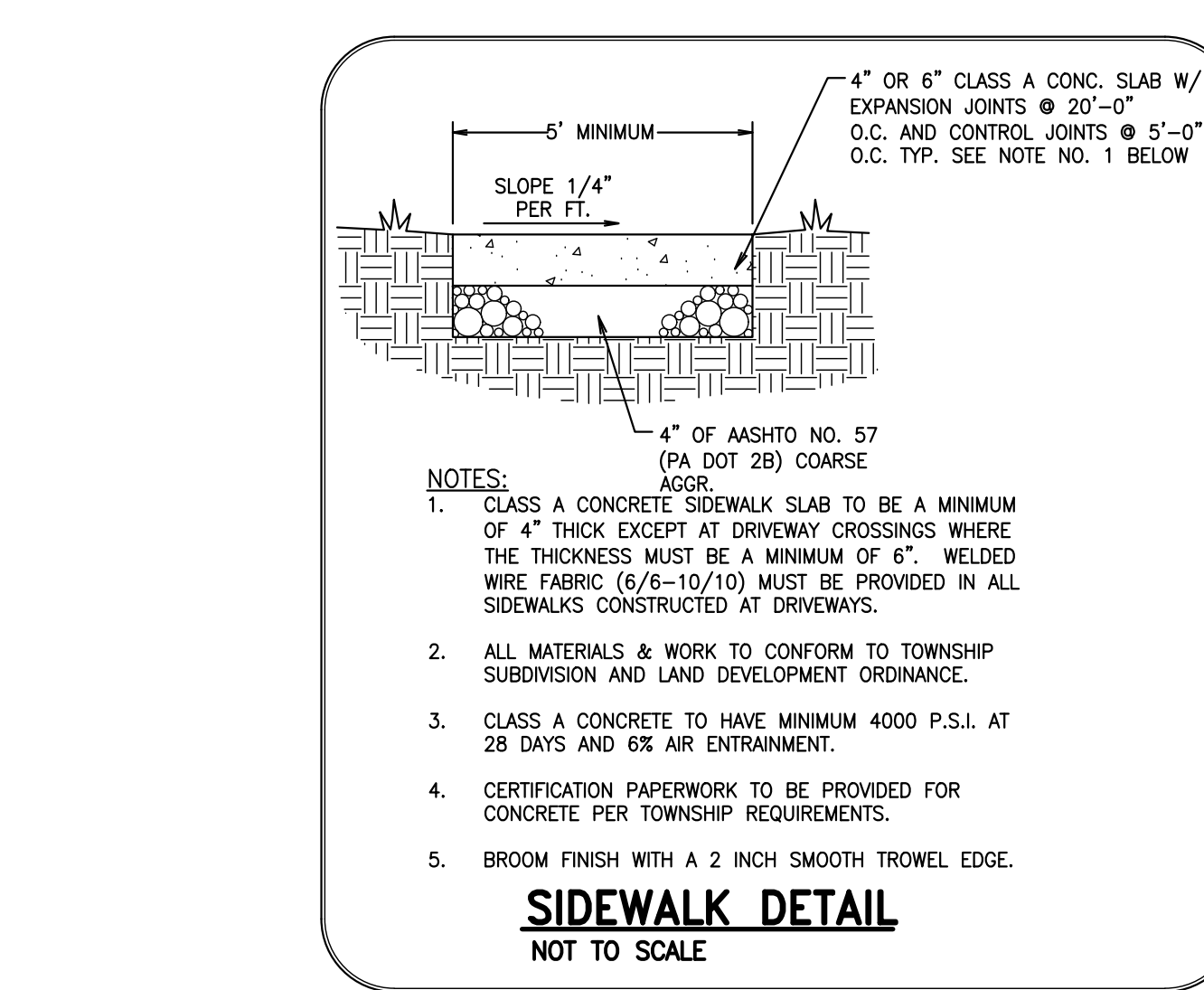
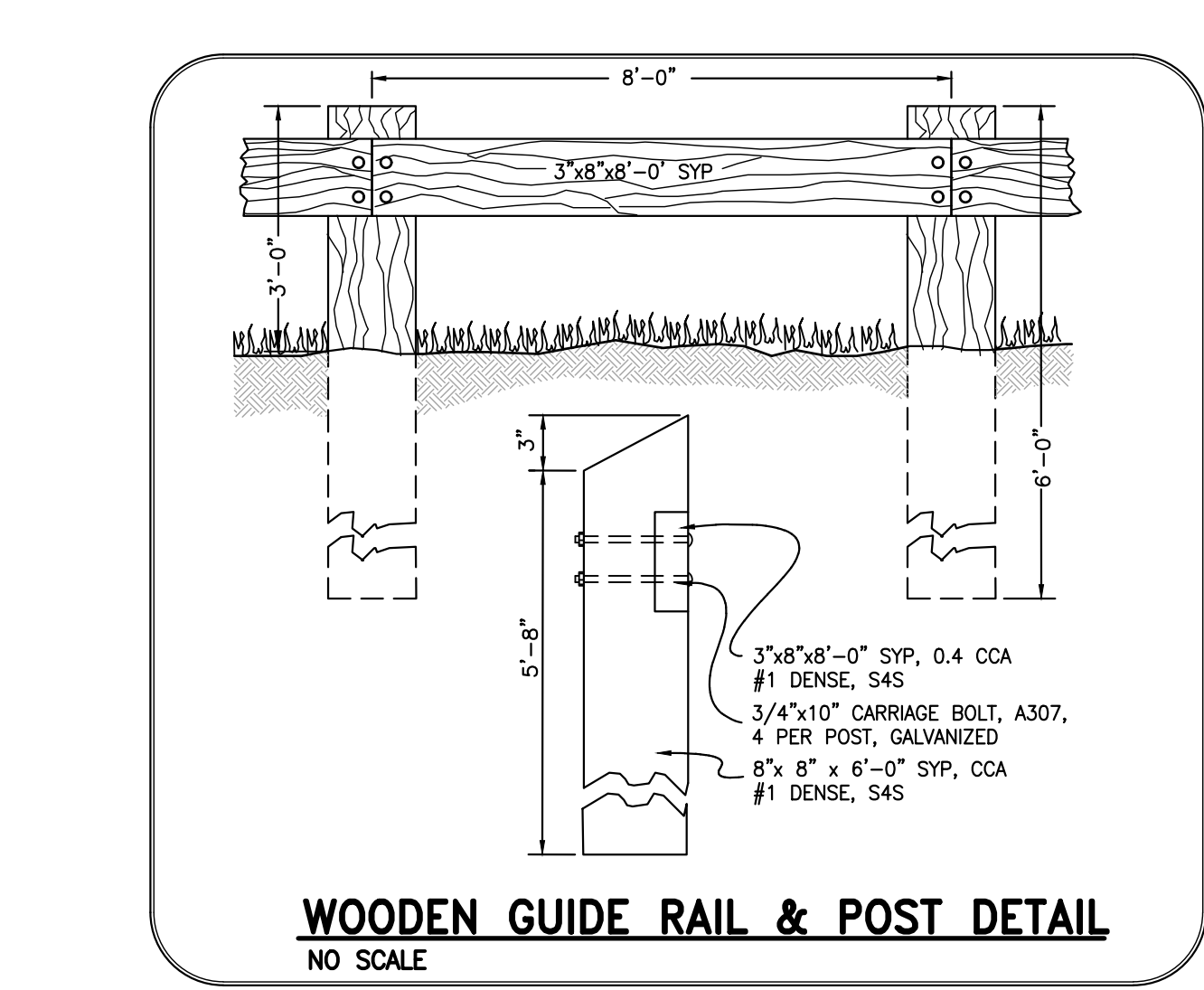
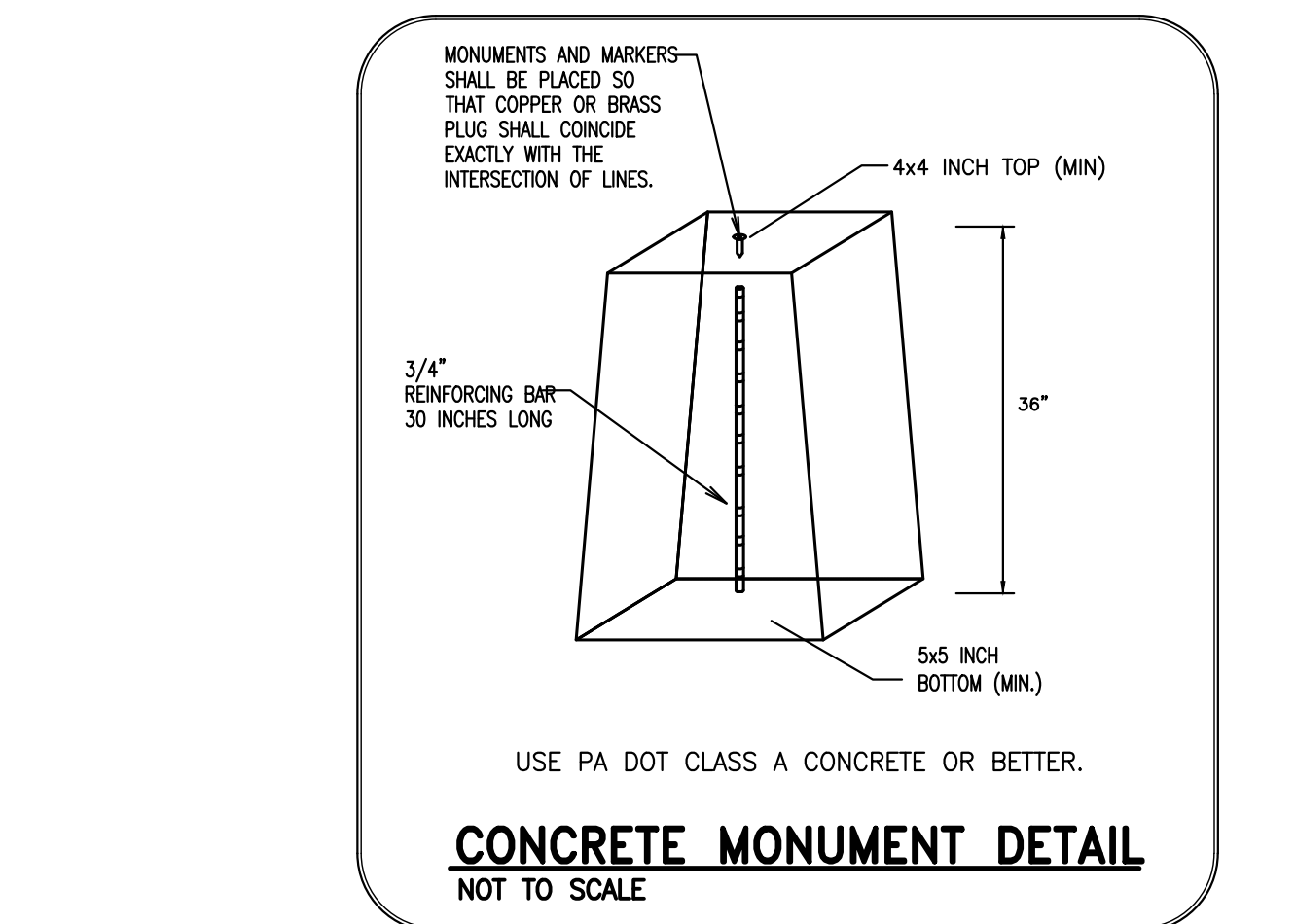
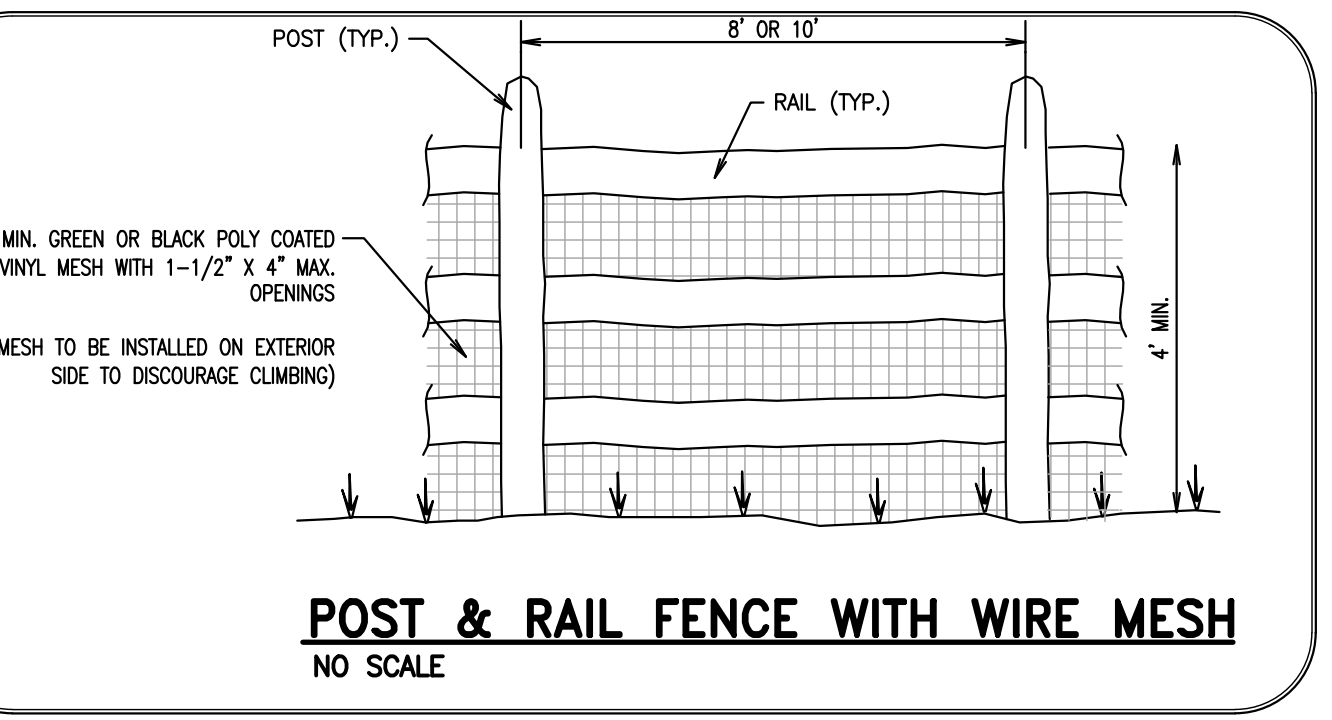
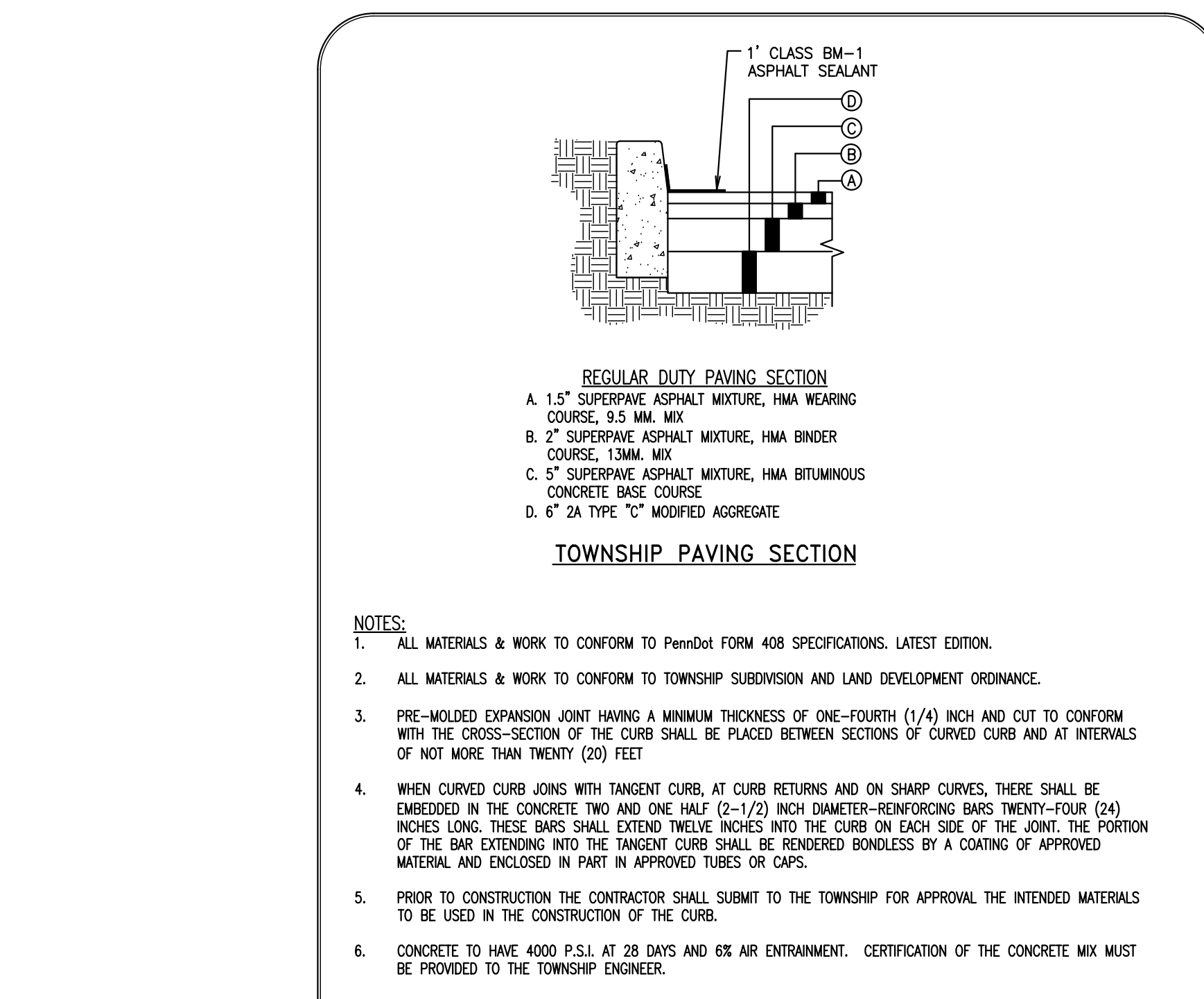
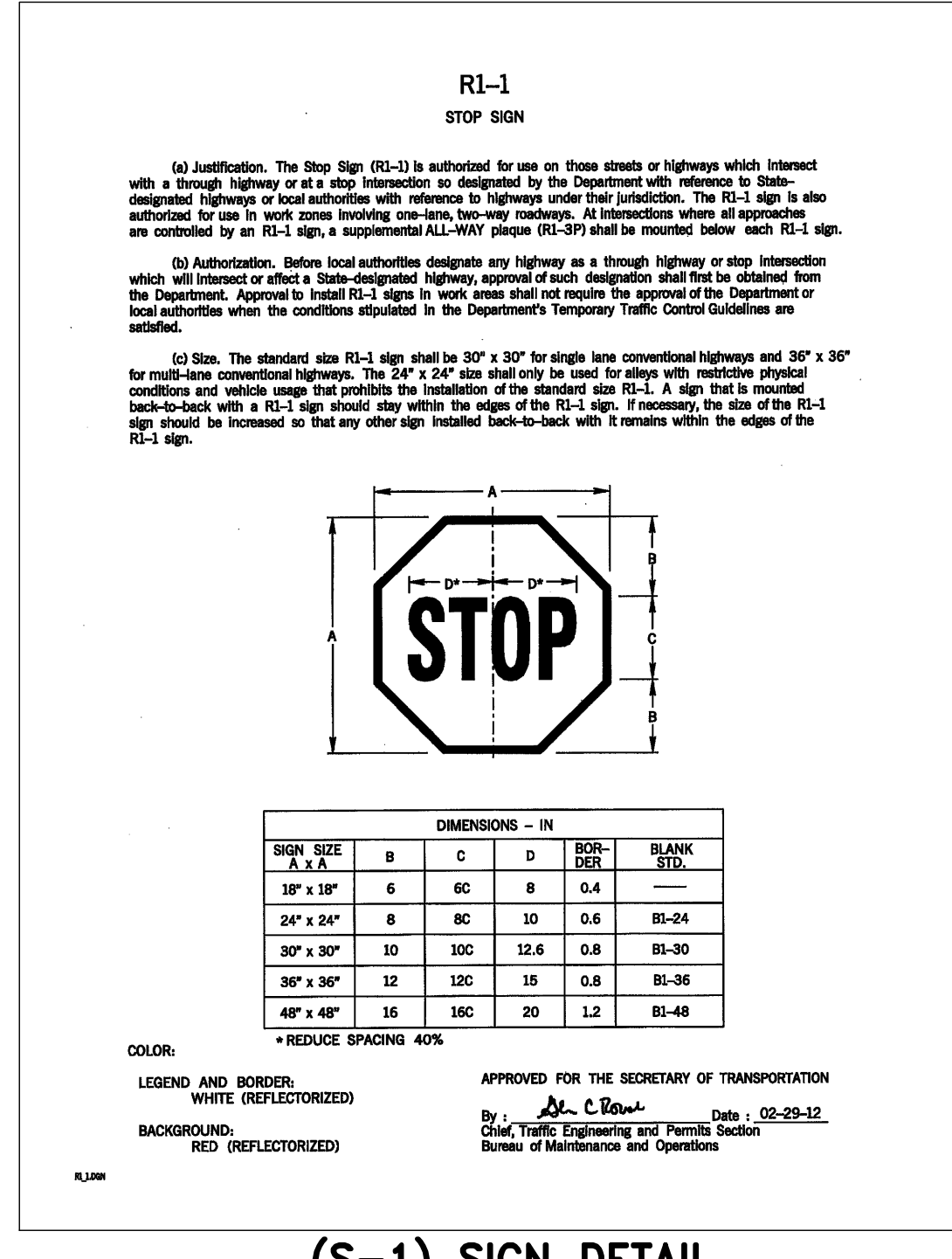
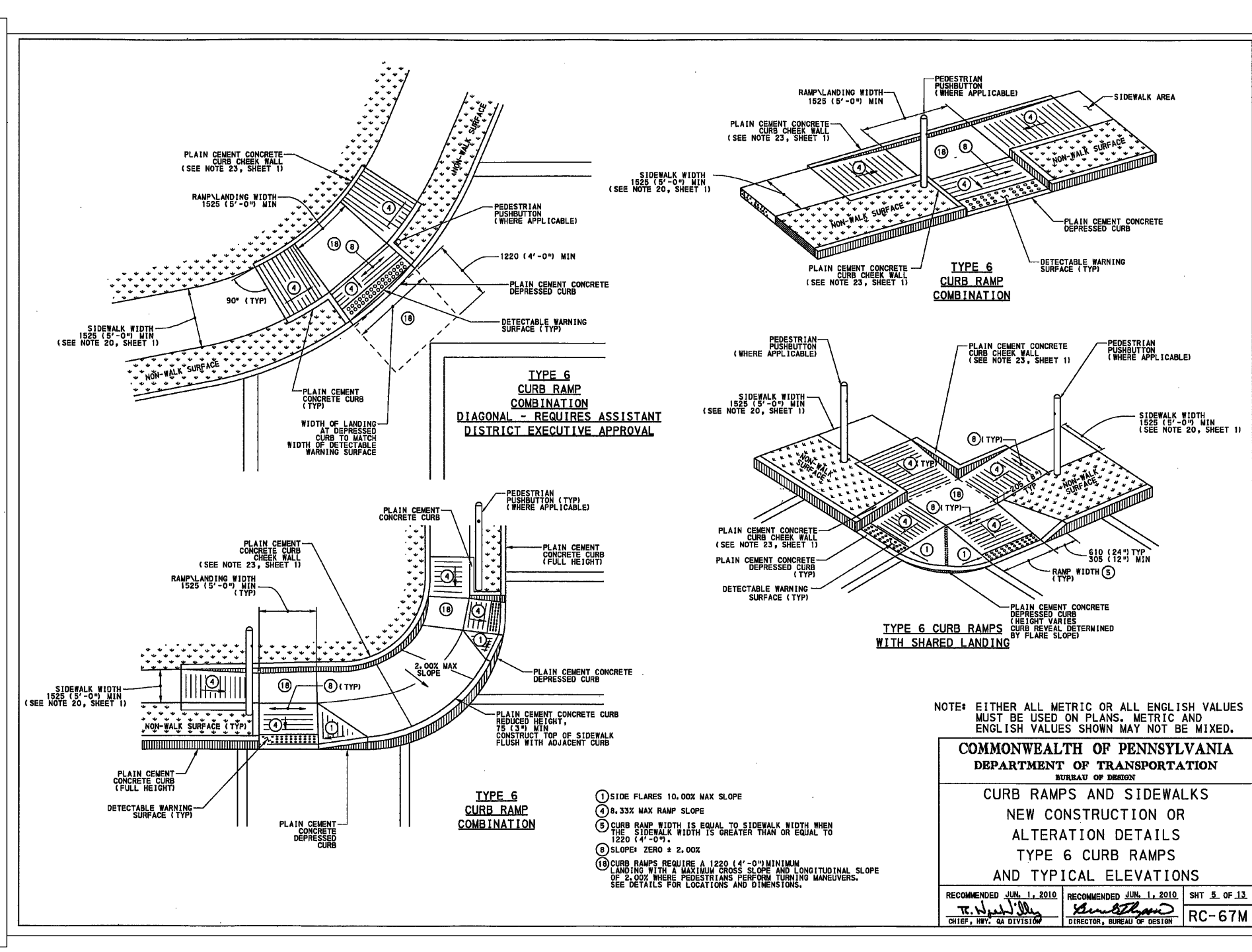
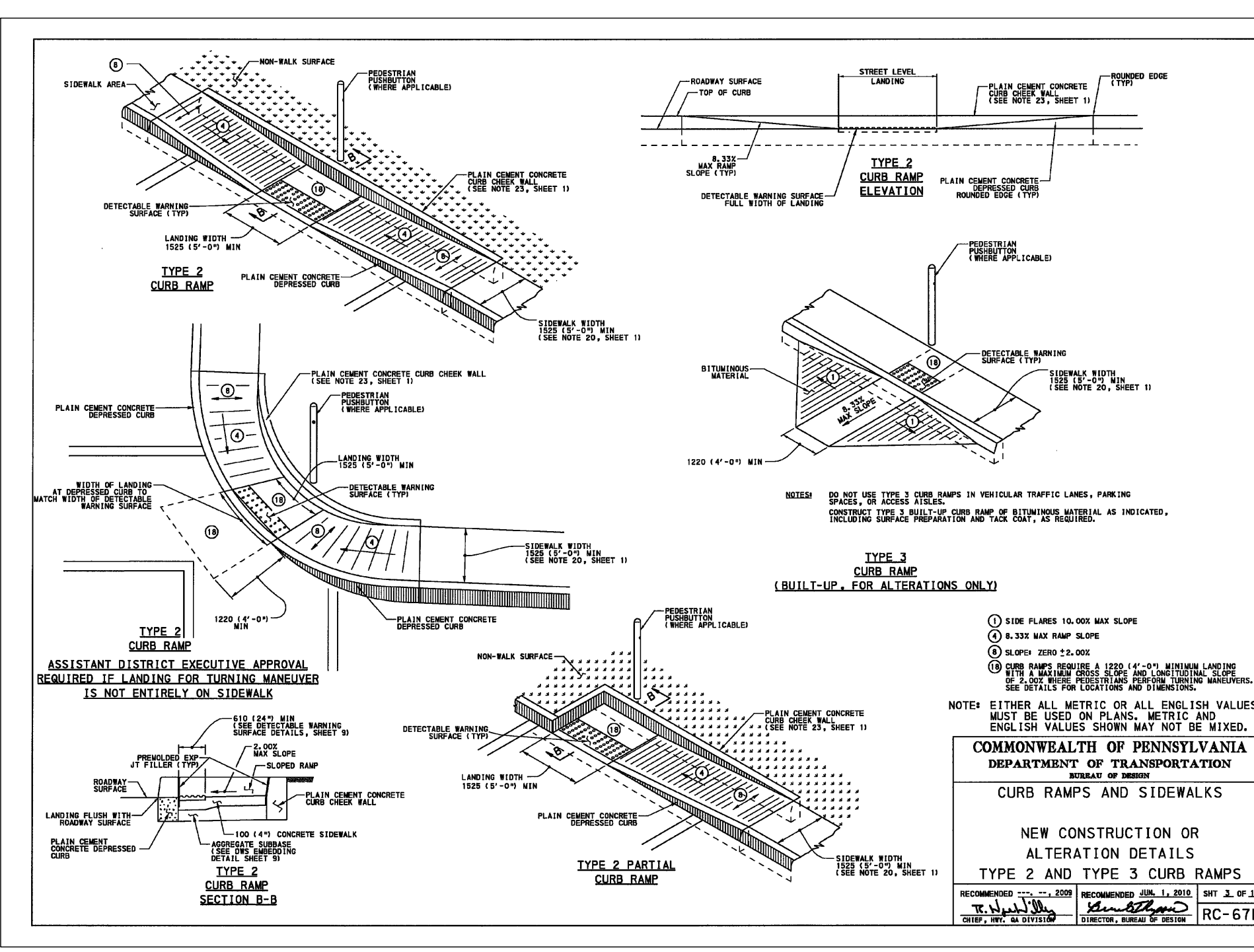




DLHowell

Civil Engineering  
Land Planning  
Environmental  
www.DLHowell.com

1250 Wrights Lane  
West Chester, PA 19380  
Phone: (610) 918-9002  
Fax: (610) 918-9003



- GENERAL NOTES - PAVEMENT MARKING
1. MATERIALS AND WORKMANSHIP SHALL CONFORM TO THE PENNSYLVANIA DEPARTMENT OF TRANSPORTATION'S FORM 408, LATEST EDITION.
2. ALL PROPOSED PAVEMENT MARKINGS MUST BE HOT THERMOPLASTIC TYPE.
3. ALL PAVEMENT MARKINGS MUST BE REFLECTORIZED.
4. PREPARE THE PAVEMENT SURFACE FOR PROPER ADHESION. ANY SWEEPING OR REMOVAL OF DEBRIS, GRAVEL, DIRT, OR OTHER FOREIGN MATERIALS IS INCIDENTAL TO THE INSTALLATION.
5. PRIOR TO APPLICATION, FIELD CHECK AND LOCATE ALL PAVEMENT MARKINGS, TO THE SATISFACTION OF THE ENGINEER.
6. WEAR BITUMINOUS SEALANTS PREVENT OR MAKE IMPRACTICAL THE EXTENDING OF LINES TO FACE OF CURB, EXTEND LINES TO EDGE OF SEALANT OR WITHIN ONE FOOT OF THE FACE OF CURB.
7. FOR ADDITIONAL DETAILS REFER TO PENNDOT PUBLICATION 1114, AS MENTIONED.

NOTES:
1. ALL MATERIALS & WORK TO CONFORM TO PennDOT FORM 408 SPECIFICATIONS, LATEST EDITION.
2. ALL MATERIALS & WORK TO CONFORM TO TOWNSHIP SUBDIVISION AND LAND DEVELOPMENT ORDINANCE.
3. PRE-MOLDED EXPANSION JOINT HAVING A MINIMUM THICKNESS OF ONE-FOURTH (1/4) INCH AND CUT TO CONFORM WITH THE CROSS-SECTION OF THE CURB SHALL BE PLACED BETWEEN SECTIONS OF CURVED CURB AND AT INTERVALS OF NOT MORE THAN TWENTY (20) FEET.
4. WHEN CURVED CURB JOINS WITH TANGENT CURB, AT CURB RETURNS AND ON SHARP CURVES, THERE SHALL BE EMBEDDED IN THE CONCRETE TWO AND ONE HALF (2-1/2) INCH DIAMETER-REINFORCING BARS TWENTY-FOUR (24) INCHES LONG. THESE BARS SHALL EXTEND TWELVE INCHES INTO THE CURB ON EACH SIDE OF THE JOINT. THE PORTION OF THE BAR EXTENDING INTO THE TANGENT CURB SHALL BE RENDERED BONDLESS BY A COATING OF APPROVED MATERIAL AND ENCLOSED IN PAINT IN APPROVED TUBES OR CAPS.
5. PRIOR TO CONSTRUCTION THE CONTRACTOR SHALL SUBMIT TO THE TOWNSHIP FOR APPROVAL THE INTENDED MATERIALS TO BE USED IN THE CONSTRUCTION OF THE CURB.
6. CONCRETE TO HAVE 4000 P.S.I. AT 28 DAYS AND 6% AIR ENTRAINMENT. CERTIFICATION OF THE CONCRETE MIX MUST BE PROVIDED TO THE TOWNSHIP ENGINEER.

NOTES:
1. ALL UNITS THAT DO NOT MEET THE 10' MINIMUM SEPARATION MUST FOLLOW THIS DETAIL.
2. SEWER LINE SHALL NOT BE ABOVE THE WATER LINE.
3. SEWER LINE SHALL NOT CROSS THE WATER LINE.
4. TRENCH BACKFILL IN ACCORDANCE WITH CHESTER WATER AUTHORITY.
5. WATER SERVICE LINE IN ACCORDANCE WITH CHESTER WATER AUTHORITY.
6. WIRE SHALL BE PLACED IN TRENCH FOR DETECTION PURPOSES.
7. TRENCH WARNING TAPE SHALL BE INSTALLED TO MARK EXCAVATIONS OF PIPE TYPE AND LOCATION.
8. SEWER PIPE TO BE SDR-35 PVC.
9. TEXTILE FABRIC SHALL BE PLACED BETWEEN BEDDING AND FILL MATERIAL.
10. BACKFILL MATERIAL MUST BE PLACED IN 8" LIFTS TO THE SPECIFIED PROCTOR.
11. SHOWN TRENCH DETAIL ONLY APPLICABLE IF PIPE IS LESS THAN 5' DEEP.

Table with 10 columns: DATE, TIME, REVIEWED, CHECKED, DESIGNED, DRAWN, SCALE, DATE, TIME, REVIEWED. Row 1: 07/15/19, 1:00 PM, JWB, JWB, JWB, N.T.S., 7/15/19, 1:00 PM, JWB.

Table with 10 columns: DATE, TIME, REVIEWED, CHECKED, DESIGNED, DRAWN, SCALE, DATE, TIME, REVIEWED. Row 1: 07/15/19, 1:00 PM, JWB, JWB, JWB, N.T.S., 7/15/19, 1:00 PM, JWB.

PRELIMINARY CONSTRUCTION DETAILS
CLIENT: MITCHELL HOMES
PROJECT: SMITH PROPERTY
LOCATION: 548 ROSDALE ROAD
KENNETT TOWNSHIP, CHESTER COUNTY, PA

DATE: 04/30/19
SCALE: N.T.S.
DRAWN BY: JTE
CHECKED BY: JWB
PROJECT NO.: 3388
CJOB FILE: 07 Profiles and Details.dwg
PLOTTED: 7/15/19
DRAWING NO.: C08.1
SHEET: 25 of 31