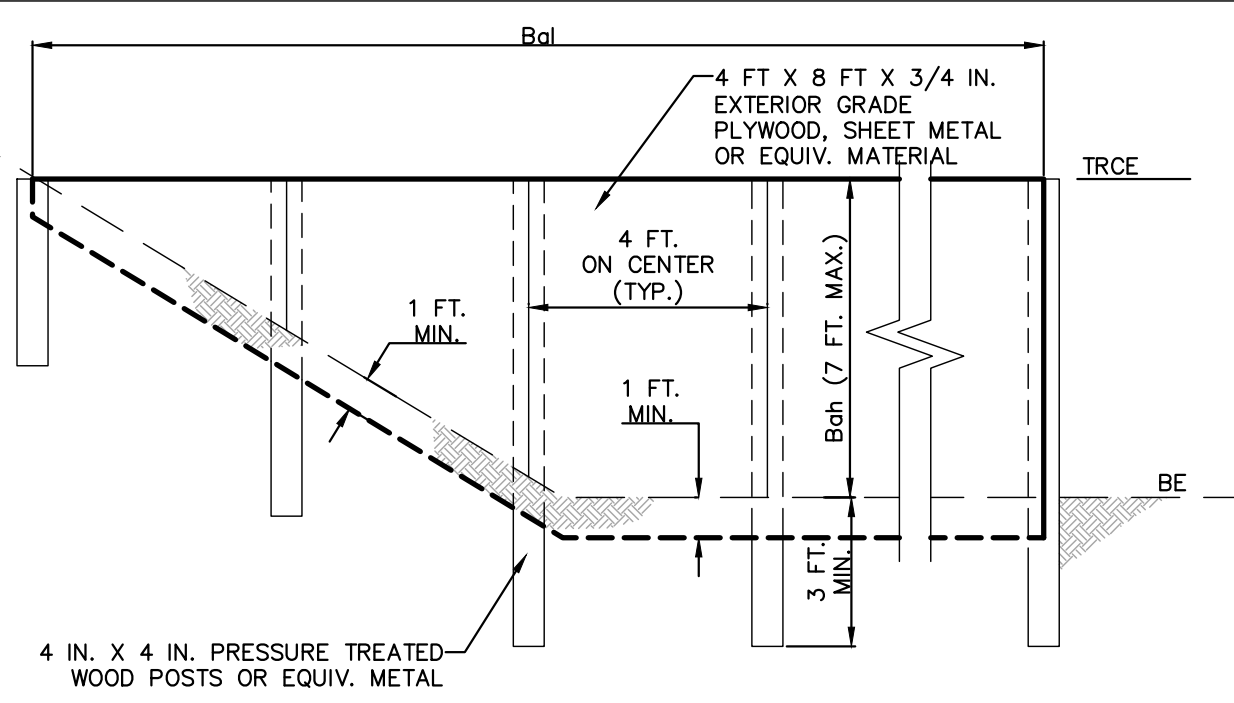


DLHowell

Civil Engineering
Land Planning
Environmental
www.DLHowell.com

1250 Wrights Lane
West Chester, PA 19380
Phone: (610) 918-9002
Fax: (610) 918-9003

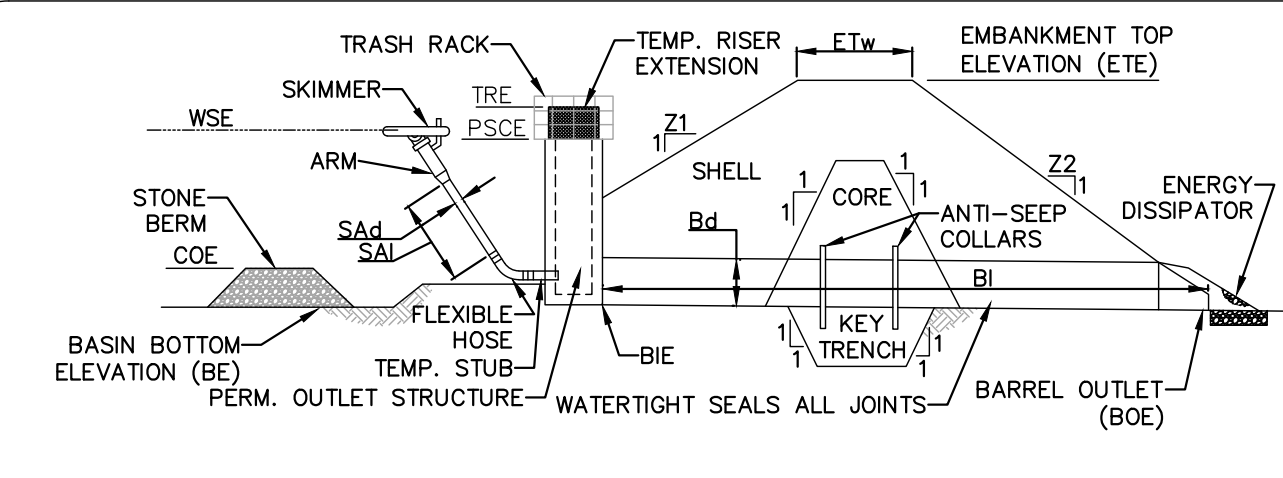


BASIN OR TRAP NO.	BAFFLE LENGTH (FT)	BAFFLE HEIGHT (FT)	TEMPORARY RISER CREST ELEV. (FT)	BOTTOM ELEV. (BE) (FT)
BASIN 1	272	5	301.98	299.00
BASIN 2	71	8	297.38	291.00
TRAP 1	93	3	294.00	292.50

NOTES:
SEE APPROPRIATE BASIN DETAIL FOR PROPER LOCATION AND ORIENTATION.
AN ACCEPTABLE ALTERNATIVE IS TO INSTALL A SUPER SILT FENCE AT THE BAFFLE LOCATION.
IN POOLS WITH DEPTHS EXCEEDING 7', THE TOP OF THE PLYWOOD BAFFLE DOES NOT NEED TO EXTEND TO THE TEMPORARY RISER CREST. SUPER SILT FENCE BAFFLES NEED NOT EXTEND TO TRACE ELEVATION.
BAFFLES SHALL BE TIED INTO ONE SIDE OF THE BASIN UNLESS OTHERWISE SHOWN ON THE PLAN DRAWINGS.
SUBSTITUTION OF MATERIALS NOT SPECIFIED IN THIS DETAIL SHALL BE APPROVED BY THE DEPARTMENT OR THE LOCAL CONSERVATION DISTRICT BEFORE INSTALLATION.
DAMAGED OR WARPED BAFFLES SHALL BE REPLACED WITHIN 7 DAYS OF INSPECTION.
BAFFLES REQUIRING SUPPORT POSTS SHALL NOT BE INSTALLED IN BASINS REQUIRING IMPERVIOUS LINERS.

**STANDARD CONSTRUCTION DETAIL #7-14
BAFFLE**

NOT TO SCALE



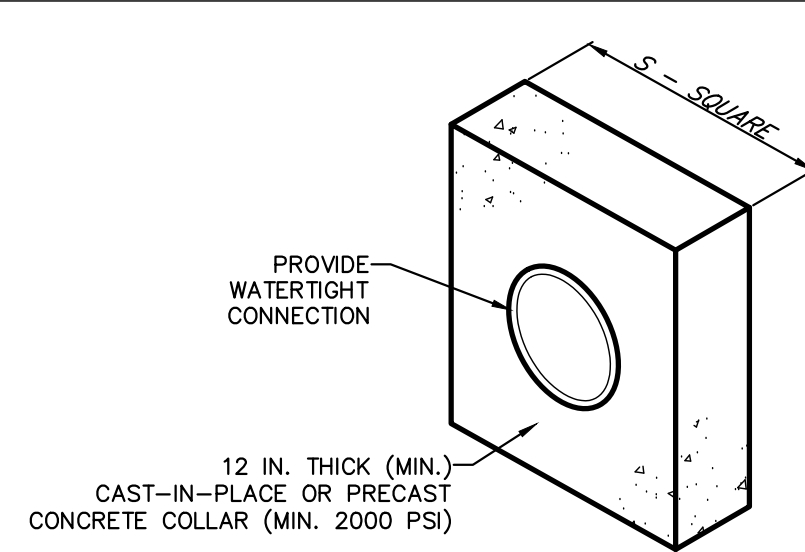
BASIN / TRAP NO.	Z1 (FT)	Z2 (FT)	TEMP RISER EXT. ELEV. (FT)	EMBANKMENT				CLEAN OUT ELEV. COE (FT)	BOTTOM ELEV. (FT)
				TOP ELEV. ETE (FT)	TOP WIDTH (FT)	KEY TRENCH DEPTH (FT)	KEY TRENCH WIDTH (FT)		
BASIN 1	3	4	301.98	305	8	2	4	300.00	299.00
BASIN 2	3	4	297.38	300.00	10	2	4	293.25	291.00

SKIMMER				OUTLET BARREL			
DIA (IN)	LENGTH (FT)	MATL	DIA (IN)	INLET ELEV. (FT)	MATL	LENGTH (FT)	OUTLET ELEV. (FT)
2.5	4.0	PVC	24	298.00	RCP	48	296.00
2.5	4.0	PVC	30	291.00	RCP	27	290.79

NOTES:
SEDIMENT BASINS, INCLUDING ALL APPURTENANT WORKS, SHALL BE CONSTRUCTED TO THE DETAIL AND DIMENSIONS SHOWN ON THE E&S PLAN DRAWINGS.
AREA UNDER EMBANKMENT SHALL BE CLEARED, GRUBBED, AND STRIPPED OF TOPSOIL TO A DEPTH OF TWO FEET PRIOR TO ANY PLACEMENT AND COMPACTION OF EARTHEN FILL. IN ORDER TO FACILITATE MAINTENANCE AND RESTORATION, THE POOL AREA SHALL BE CLEARED OF ALL BRUSH, TREES, AND OBJECTIONABLE MATERIAL. FILL MATERIAL FOR THE EMBANKMENTS SHALL BE FREE OF ROOTS, OR OTHER WOODY VEGETATION, ORGANIC MATERIAL, LARGE STONES, AND OTHER OBJECTIONABLE MATERIALS. THE EMBANKMENT SHALL BE CONSTRUCTED IN LAYERED LIFTS OF NOT MORE THAN 6 TO 9 IN. THE MAXIMUM ROCK SIZE SHALL BE NO GREATER THAN 2/3 THE LIFT THICKNESS.
UPON COMPLETION, THE EMBANKMENT SHALL BE SEEDED, MULCHED, BLANKETED OR OTHERWISE STABILIZED ACCORDING TO THE SPECIFICATIONS OF THE E&S PLAN DRAWINGS. TREES SHALL NOT BE PLANTED ON THE EMBANKMENT.
INSPECT ALL SEDIMENT BASINS ON AT LEAST A WEEKLY BASIS AND AFTER EACH RUNOFF EVENT. PROVIDE ACCESS FOR SEDIMENT REMOVAL AND OTHER REQUIRED MAINTENANCE ACTIVITIES. A CLEAN OUT STAKE SHALL BE PLACED NEAR THE CENTER OF EACH BASIN. ACCUMULATED SEDIMENT SHALL BE REMOVED WHEN IT HAS REACHED THE CLEAN OUT ELEVATION ON THE STAKE AND THE BASIN RESTORED TO ITS ORIGINAL DIMENSIONS. DISPOSE OF MATERIALS REMOVED FROM THE BASIN IN THE MANNER DESCRIBED IN THE E&S PLAN.
BASIN EMBANKMENTS, SPILLWAYS, AND OUTLETS SHALL BE INSPECTED FOR GROUND, PIPING AND SETTLEMENT. NECESSARY REPAIRS SHALL BE IMMEDIATELY DISPLACED RIPRAP WITHIN THE OUTLET ENERGY DISSIPATER SHALL BE REPLACED IMMEDIATELY.
ACCUMULATED SEDIMENT SHALL BE REMOVED AND DISTURBED AREAS SHALL BE STABILIZED INSIDE THE BASIN BEFORE CONVERSION TO A STORMWATER MANAGEMENT FACILITY. THE DEVICE SHOWN IN STANDARD CONSTRUCTION DETAIL #7-16 MAY BE USED TO DEWATER SATURATED SEDIMENT PRIOR TO ITS REMOVAL. ROCK FILTERS SHALL BE ADDED AS NECESSARY.
ALL BASIN EMBANKMENTS SHOULD BE COMPACTIONED BY SHEEPSFOOT OR PAD ROLLER. THE LOOSE LIFT THICKNESS SHOULD BE 9 INCHES OR LESS, DEPENDING ON ROLLER SIZE, AND THE MAXIMUM PARTICLE SIZE IS 6 INCHES OR LESS - 2/3 LIFT THICKNESS. FIVE PASSES OF THE COMPACTION EQUIPMENT OVER THE ENTIRE SURFACE OF EACH LIFT IS REQUIRED. EMBANKMENT COMPACTION TO VISIBLE NON-MOVEMENT IS ALSO REQUIRED.

**STANDARD CONSTRUCTION DETAIL #7-4
SEDIMENT BASIN EMBANKMENT AND SPILLWAY DETAILS - SKIMMER**

NOT TO SCALE

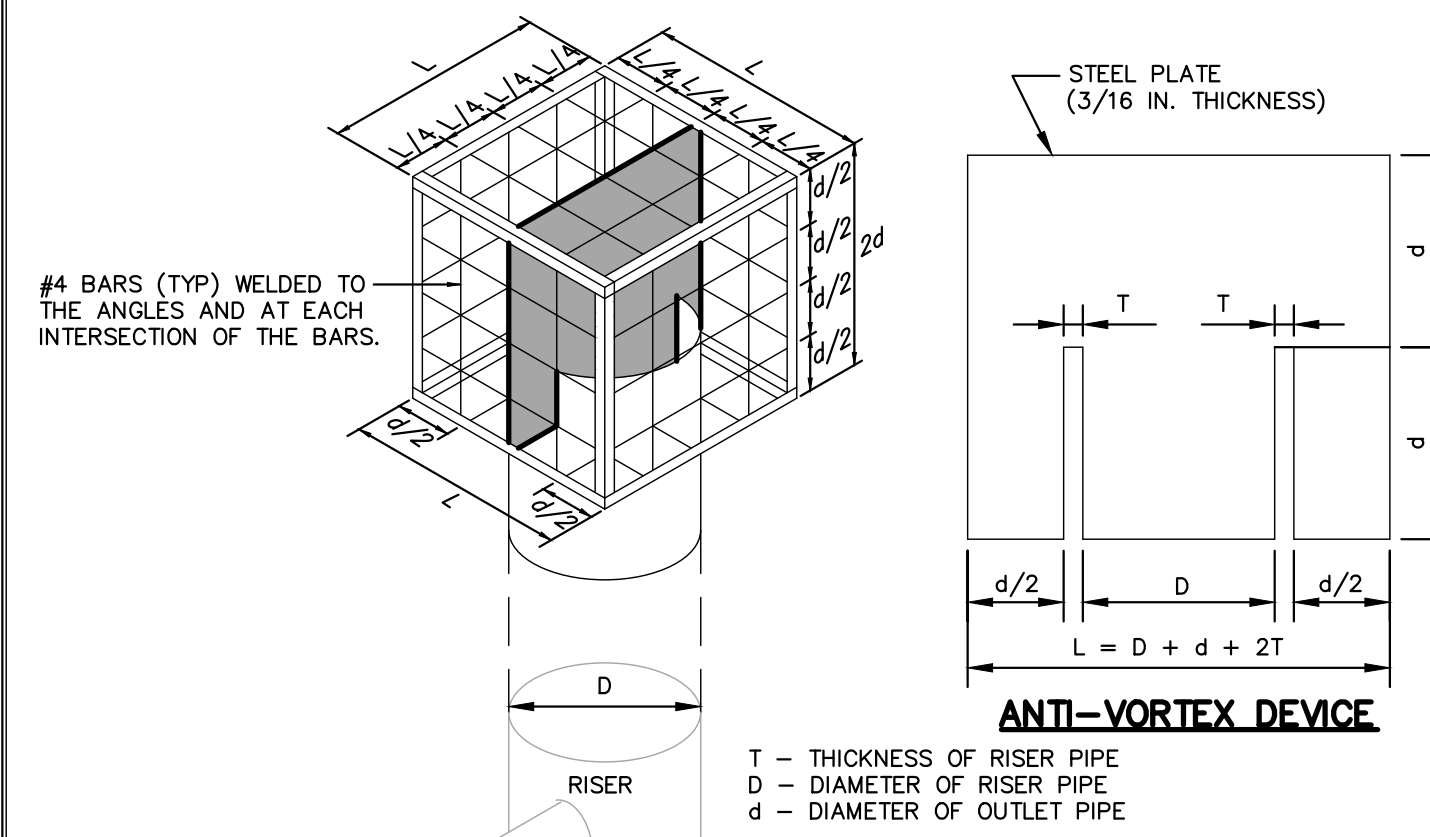


BASIN OR TRAP NO.	PIPE SIZE (IN)	S (IN)	NO. OF COLLARS	RISER TO FIRST COLLAR (FT)	COLLAR SPACING (FT)
BASIN 1	24	72	3	10	10
BASIN 2	30	72	3	10	10
TRAP 1	30	60	2	10	10

NOTES:
ALL COLLARS SHALL BE INSTALLED SO AS TO BE WATERTIGHT.
COLLAR SIZE AND SPACING SHALL BE AS INDICATED WITHIN TABLE.

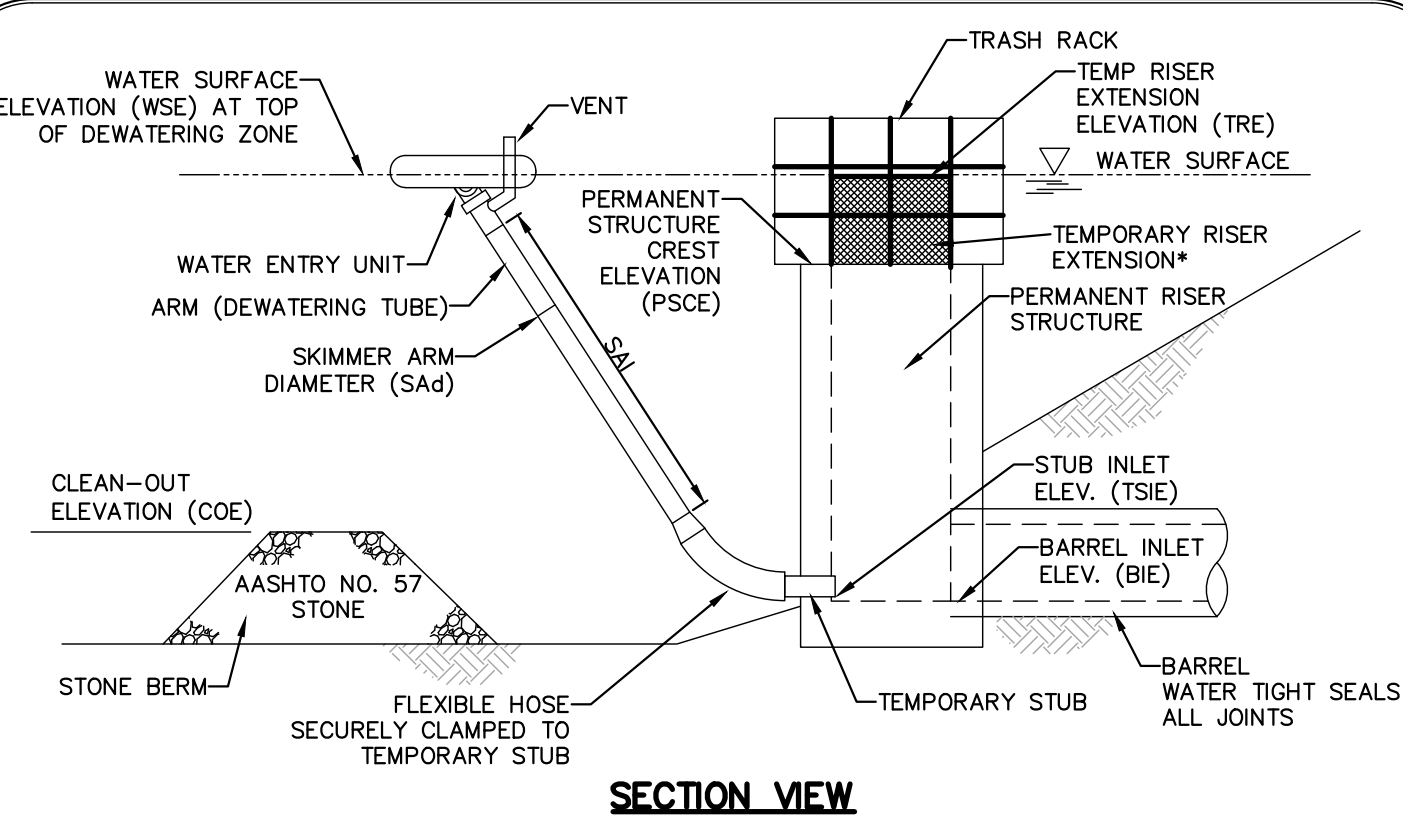
**STANDARD CONSTRUCTION DETAIL #7-16
CONCRETE ANTI-SEEP COLLAR FOR PERMANENT BASINS OR TRAPS**

NOT TO SCALE



**STANDARD CONSTRUCTION DETAIL #7-5
TRASH RACK AND ANTI-VORTEX DEVICE**

NOT TO SCALE



SECTION VIEW

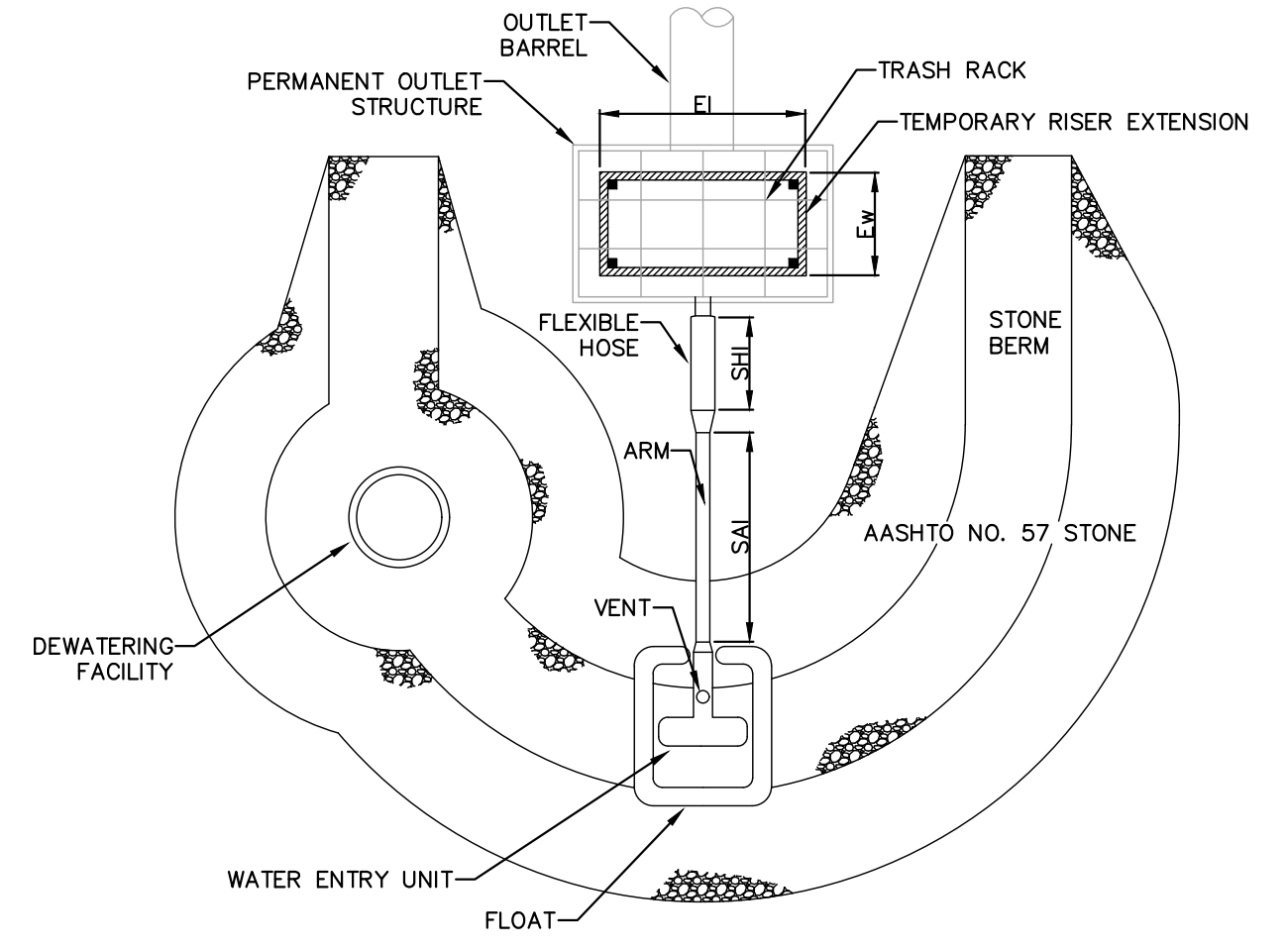
BASIN NO.	WATER SURFACE ELEV. WSE (FT)	ORIFICE			SKIMMER ARM			FLEXIBLE HOSE		
		DIA (IN)	HEAD (IN)	LENGTH (FT)	DIA (IN)	LENGTH (FT)	DIA (IN)	LENGTH (FT)	DIA (IN)	LENGTH (FT)
BASIN 1	303.00	2.5	2.5	3	7.0	PVC	3	12	PVC	12
BASIN 2	299.00	2.5	2.5	3	9.0	PVC	3	12	PVC	12
TRAP 1	343.50	2.0	2.0	3	3.0	PVC	3	12	PVC	12

TEMPORARY STUB INSIDE DIA (IN)	INVERT ELEV. (FT)	MATL	PERMANENT RISER		RISER EXTENSION		BARREL		
			CREST ELEV. (FT)	HORIZ. OPENING (IN)	CREST ELEV. (FT)	HORIZ. OPENING (IN)	INLET ELEV. (FT)	INLET ELEV. (FT)	
3	289.00	PVC	301.00	48	24	301.98	48	24	298.00
3	290.79	PVC	292.40	48	24	297.38	48	24	290.79
3	292.00	PVC	N/A	48	24	294.00	48	24	289.00

NOTES:
ALL ORIFICES ON PERMANENT RISER BELOW TEMPORARY RISER EXTENSION SHALL HAVE WATER-TIGHT TEMPORARY SEALS PROVIDED. TEMPORARY STUB INVERT ELEVATION SHALL BE SET AT OR BELOW SEDIMENT CLEAN-OUT ELEVATION.
A ROPE SHALL BE ATTACHED TO THE SKIMMER ARM TO FACILITATE ACCESS TO THE SKIMMER ONCE INSTALLED.
SKIMMER SHALL BE INSPECTED WEEKLY AND AFTER EACH RUNOFF EVENT.
ANY MALFUNCTIONING SKIMMER SHALL BE REPAIRED OR REPLACED WITHIN 24 HOURS OF INSPECTION.
ICE OR SEDIMENT BUILDUP AROUND THE PRINCIPAL SPILLWAY SHALL BE REMOVED SO AS TO ALLOW THE SKIMMER TO RESPOND TO FLUCTUATING WATER ELEVATIONS.
SEDIMENT SHALL BE REMOVED FROM THE BASIN WHEN IT REACHES THE LEVEL MARKED ON THE SEDIMENT CLEAN-OUT STAKE OR THE TOP OF THE STONE BERM. SEE STANDARD CONSTRUCTION DETAIL #7-3 FOR CONFIGURATION OF STONE BERM.

**STANDARD CONSTRUCTION DETAIL #7-2
SKIMMER ATTACHED TO PERMANENT RISER**

NOT TO SCALE

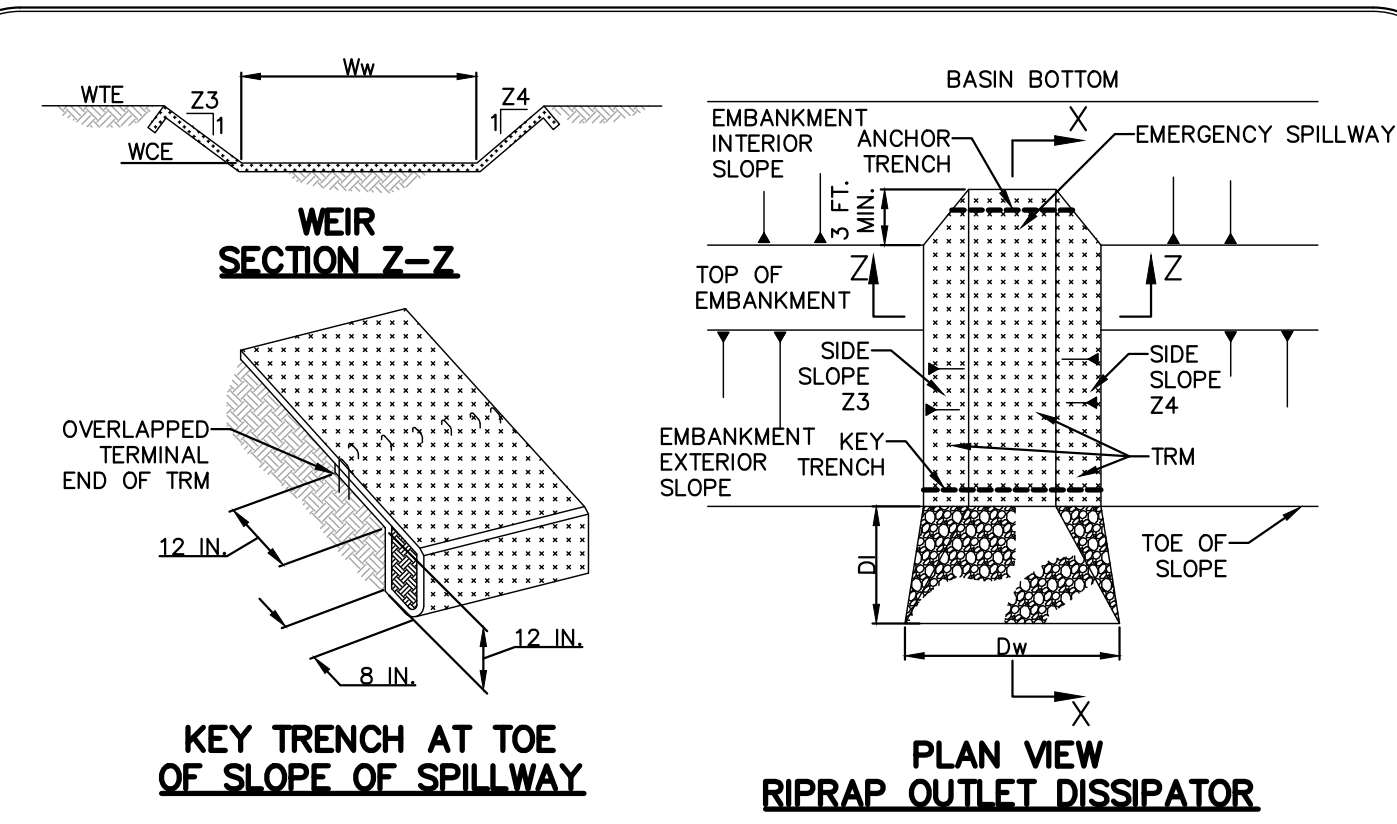


PLAN VIEW

NOTES:
NO GUIDE RAILS SHALL BE REQUIRED FOR THIS INSTALLATION.
THIS DETAIL SHALL BE USED IN CONJUNCTION WITH STANDARD CONSTRUCTION DETAILS #7-2 AND #7-4.

**STANDARD CONSTRUCTION DETAIL #7-3
SKIMMER WITH STONE LANDING BERM**

NOT TO SCALE



**STANDARD CONSTRUCTION DETAIL #7-13
SEDIMENT BASIN EMERGENCY SPILLWAY WITH TRM LINING**

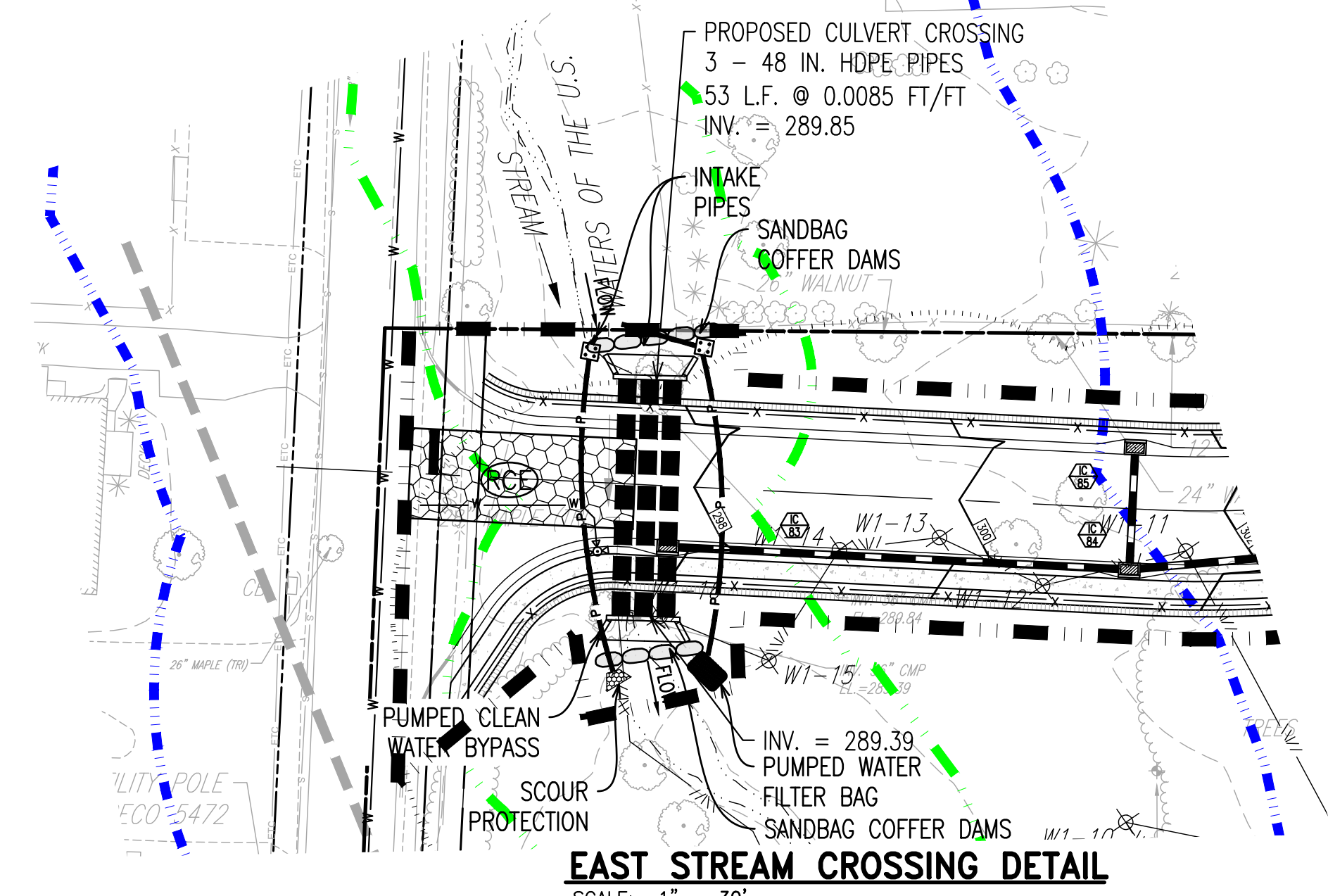
NOT TO SCALE

BASIN NO.	WEIR		TRM TYPE	STAPLE PATTERN	CHANNEL		DISSIPATOR		RIPRAP THICK. (IN)	
	Z3 (FT)	Z4 (FT)			DEPTH (FT)	LENGTH (FT)	WIDTH (FT)	RIPPAP SIZE (R-L)		
BASIN 1	3	3	P300	B	3	5	5.5	10.5	3	9
BASIN 2	3	3	P300	B	3	5	5.5	10.5	3	9

NOTES:
HEAVY EQUIPMENT SHALL NOT CROSS OVER SPILLWAY WITHOUT PRECAUTIONS TAKEN TO PROTECT TRM LINING.
DISPLACED LINER WITHIN THE SPILLWAY AND/OR OUTLET CHANNEL SHALL BE REPLACED IMMEDIATELY.
RIPRAP AT TOE OF EMBANKMENT SHALL BE EXTENDED A SUFFICIENT LENGTH IN BOTH DIRECTIONS TO PREVENT SCOUR.
THE USE OF BAFFLES THAT REQUIRE SUPPORT POSTS ARE RESTRICTED FROM USE IN BASINS REQUIRING IMPERVIOUS LINERS.

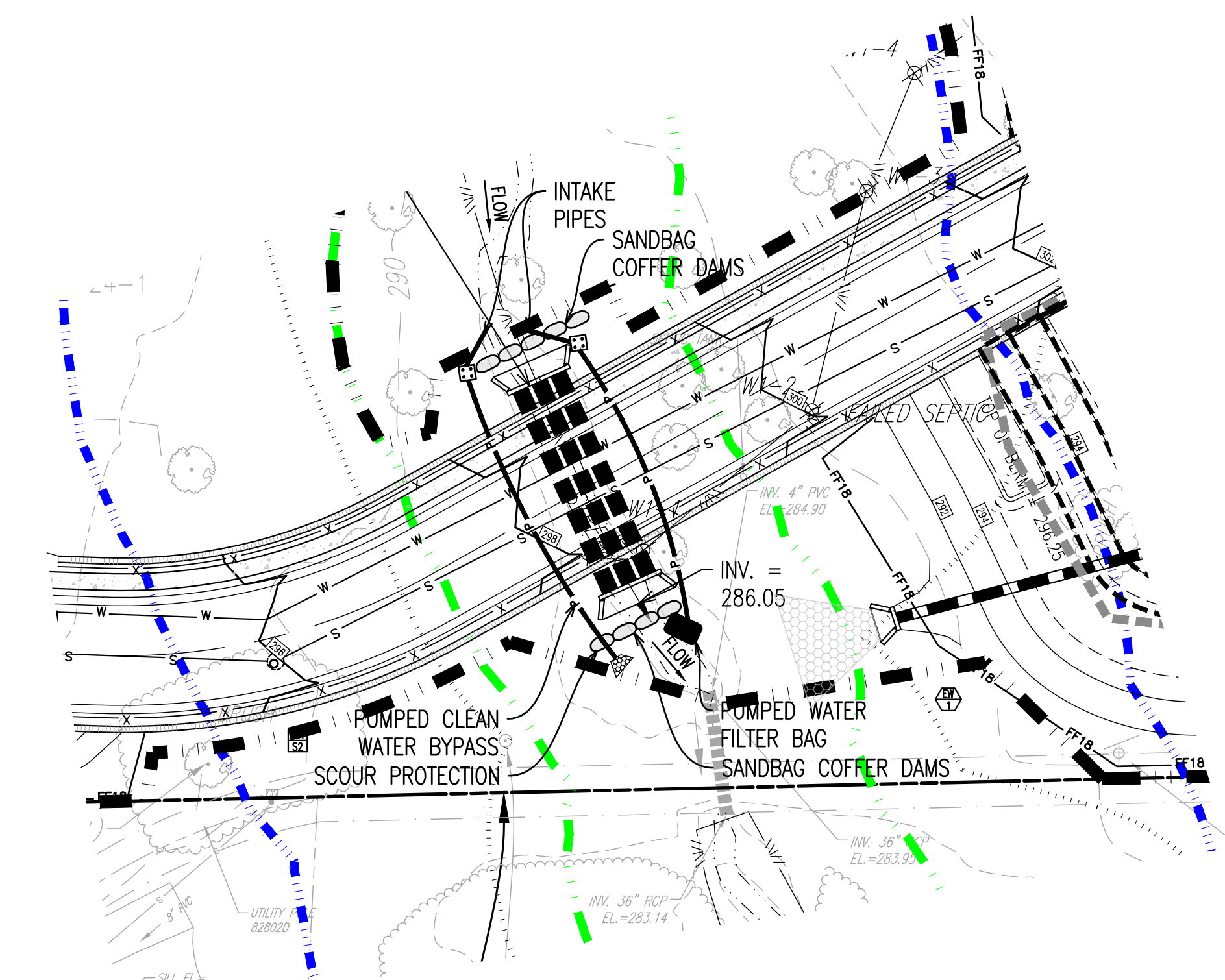
**STANDARD CONSTRUCTION DETAIL #7-13
SEDIMENT BASIN EMERGENCY SPILLWAY WITH TRM LINING**

NOT TO SCALE



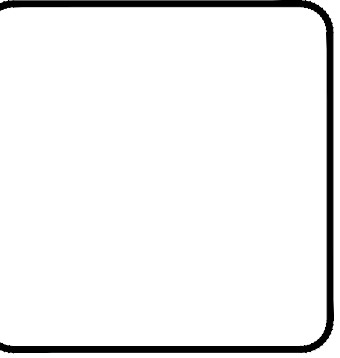
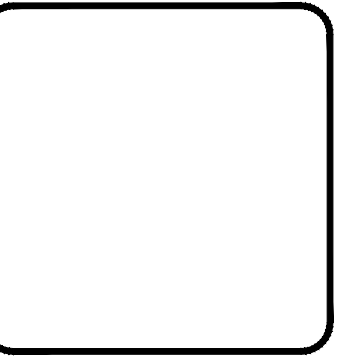
EAST STREAM CROSSING DETAIL

SCALE: 1" = 30'



WEST STREAM CROSSING DETAIL

SCALE: 1" = 30'



NO.	DATE	DESCRIPTION
1	07/13/19	REVISED PER TOWNSHIP CONSULTANT REVIEW LETTER.
2	08/26/19	REVISED PER TOWNSHIP ENGINEER REVIEW LETTER DATED 07/31/19.
3	10/16/19	REVISED PER TOWNSHIP CONSULTANT REVIEW LETTER.
4	10/16/19	REVISED PER TOWNSHIP CONSULTANT REVIEW LETTER.
5	10/16/19	REVISED PER TOWNSHIP CONSULTANT REVIEW LETTER.
6	10/16/19	REVISED PER TOWNSHIP CONSULTANT REVIEW LETTER.
7	10/16/19	REVISED PER TOWNSHIP CONSULTANT REVIEW LETTER.

**PRELIMINARY
EROSION CONTROL DETAILS**
CLIENT: MITCHELL HOMES
PROJECT: SMITH PROPERTY
LOCATION: 548 ROSEDALE ROAD
KENNETT TOWNSHIP, CHESTER COUNTY, PA

DATE:	04/30/19
SCALE:	1"=50'
DRAWN BY:	JTE
CHECKED BY:	JWB
PROJECT NO.:	3388
DATE PLOTTED:	10/16/19
DRAWING NO.:	C05.5
SHEET:	16 OF 31