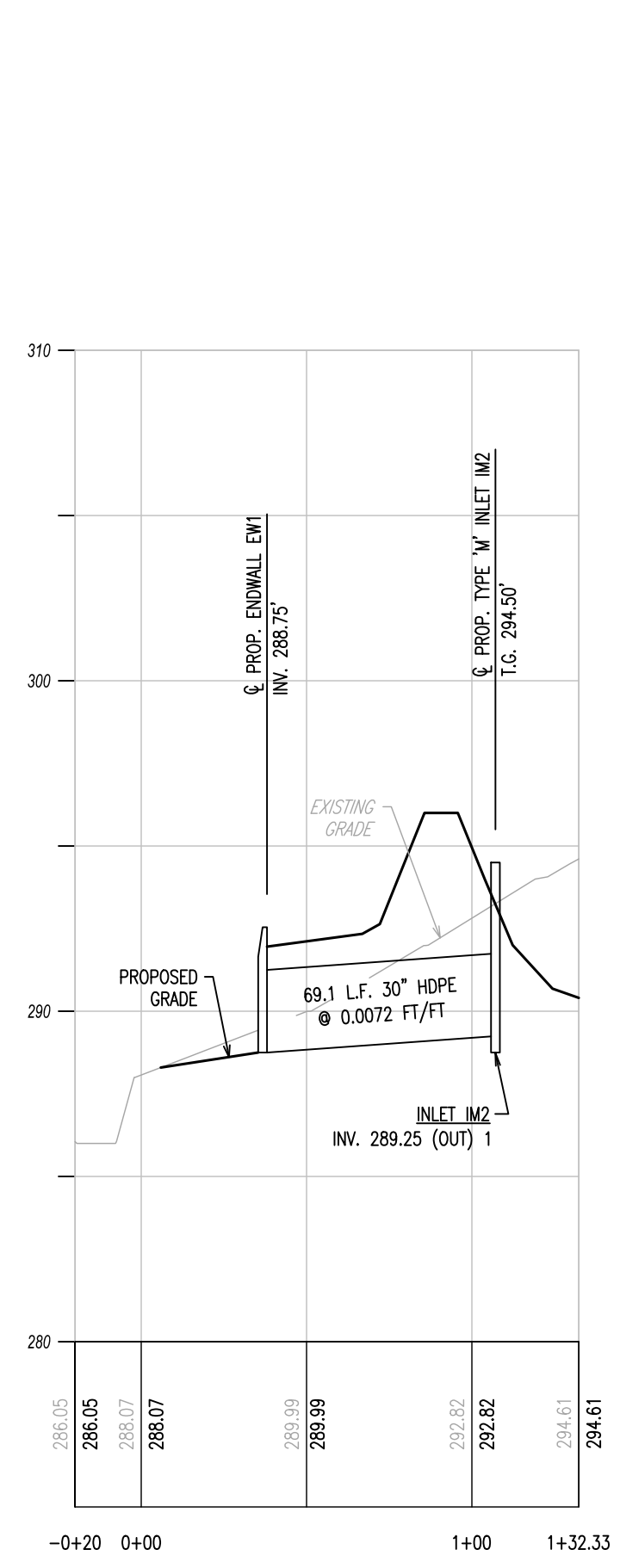


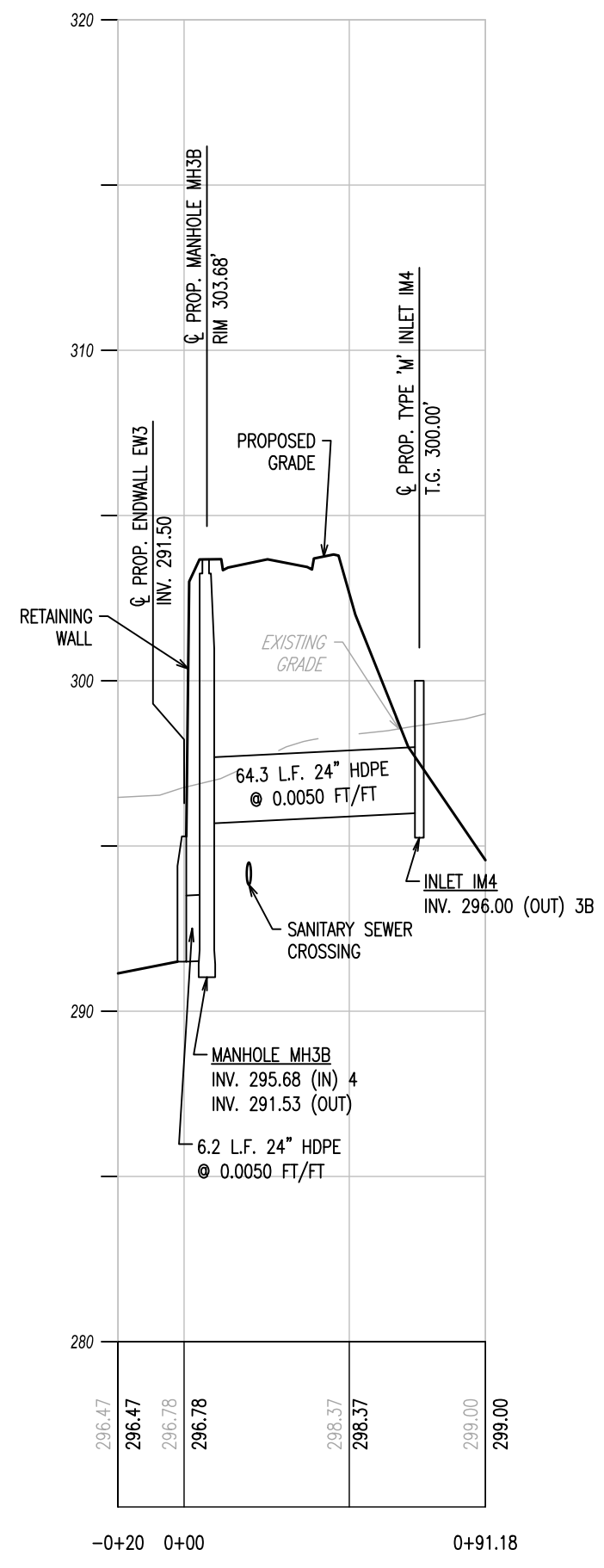
DLHowell

Civil Engineering  
Land Planning  
Environmental  
www.DLHowell.com

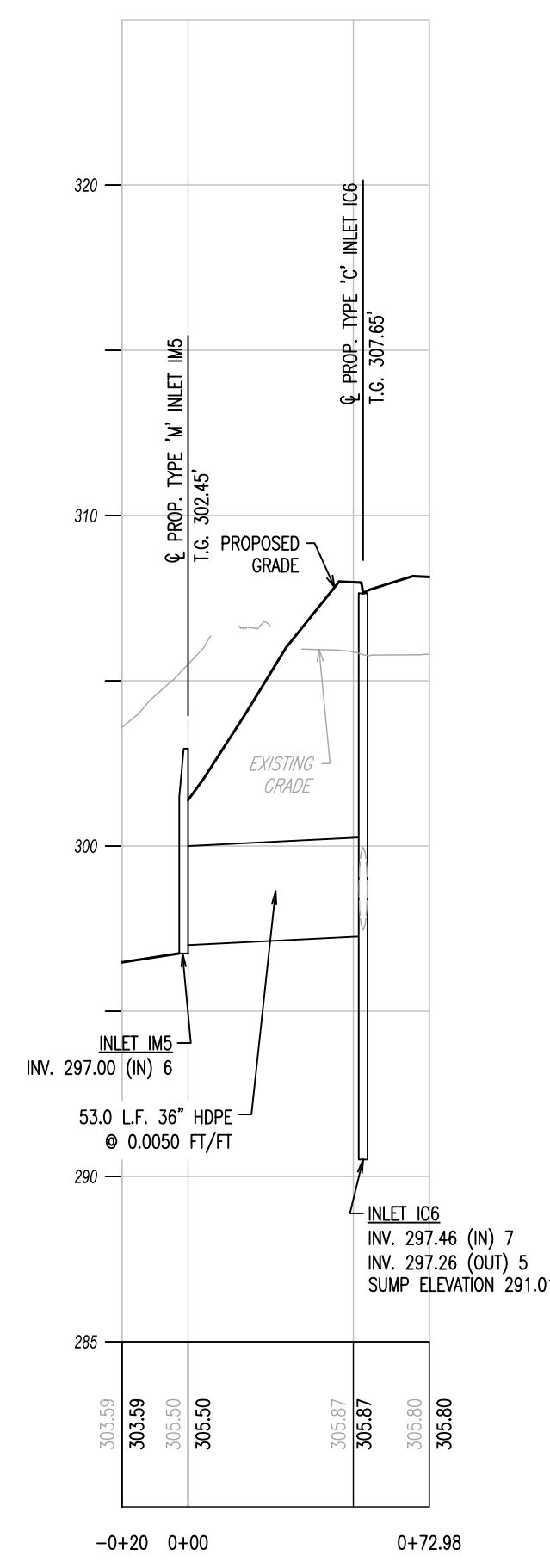
1250 Wrights Lane  
West Chester, PA 19380  
Phone: (610) 918-9002  
Fax: (610) 918-9003



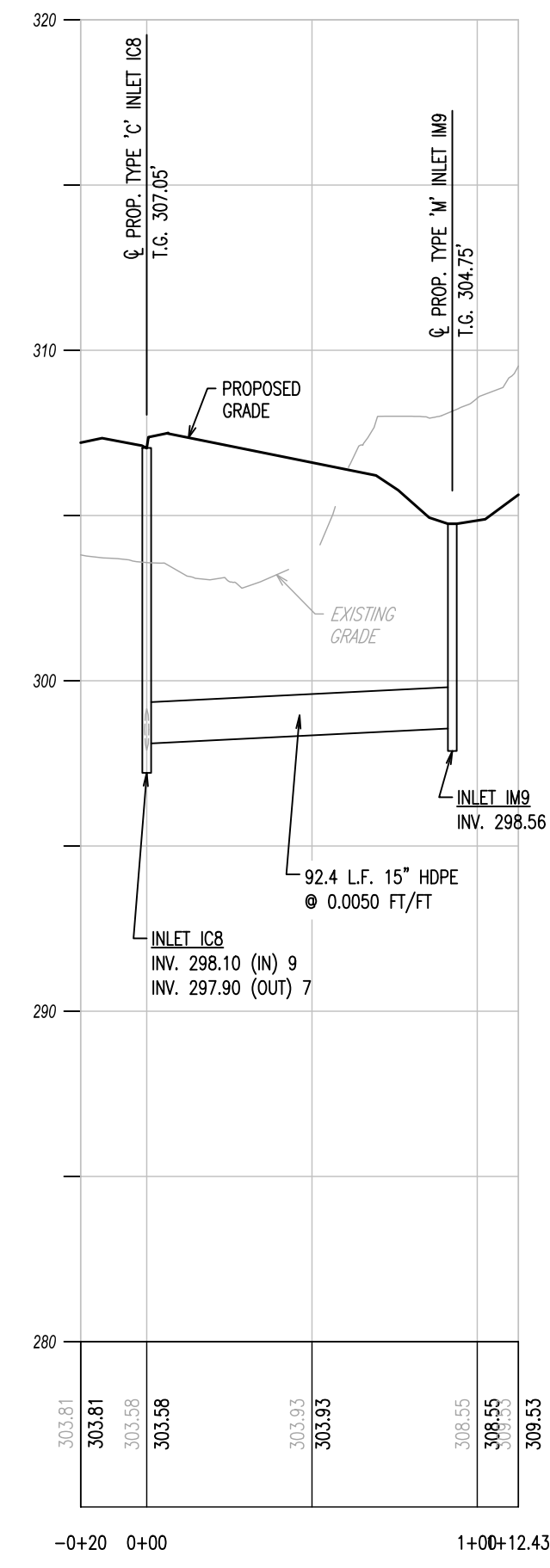
STORM SEWER EW1 - IM2 PROFILE  
HORIZ SCALE: 1"=50'  
VERT SCALE: 1"=5'



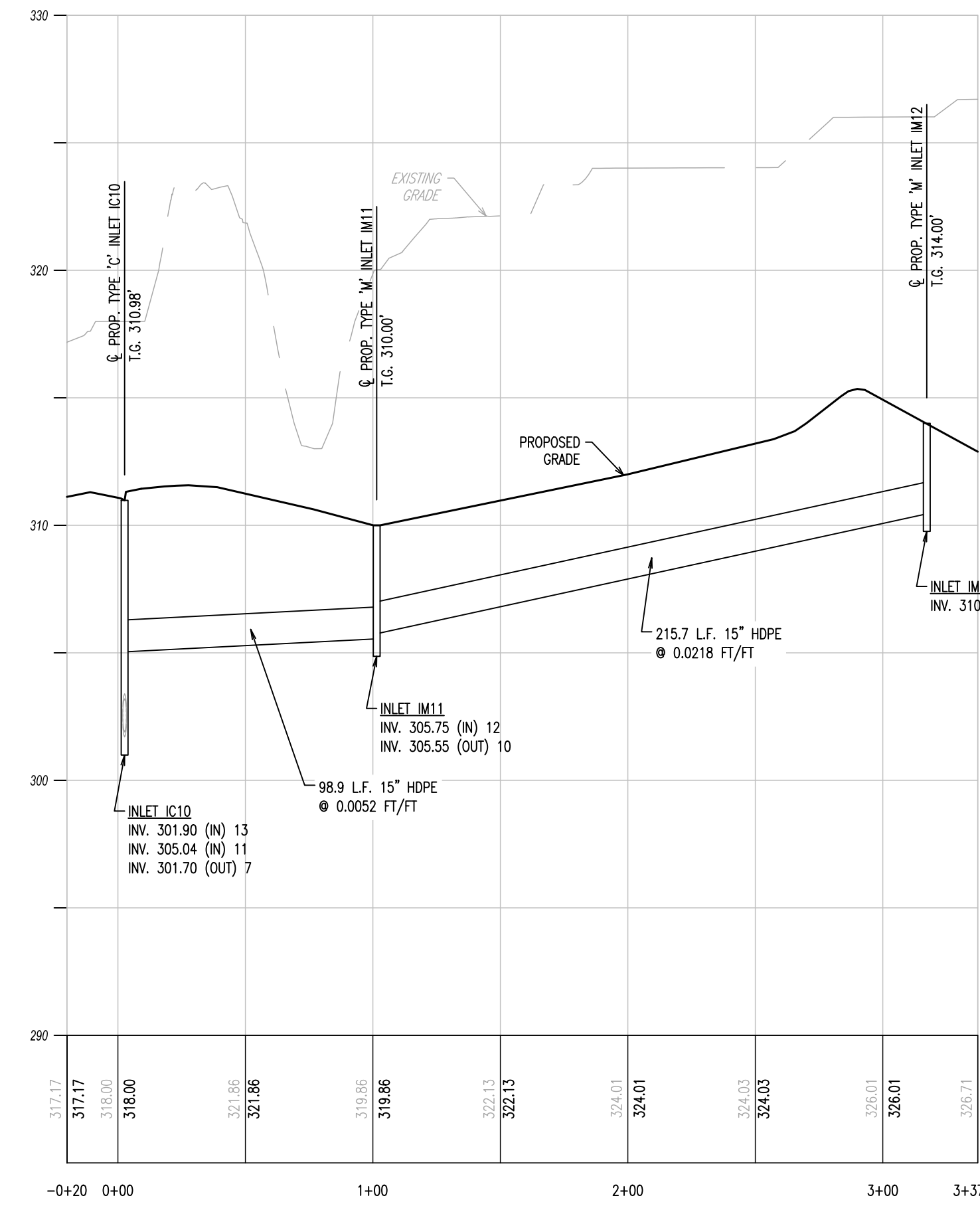
STORM SEWER EW3 - IM4 PROFILE  
HORIZ SCALE: 1"=50'  
VERT SCALE: 1"=5'



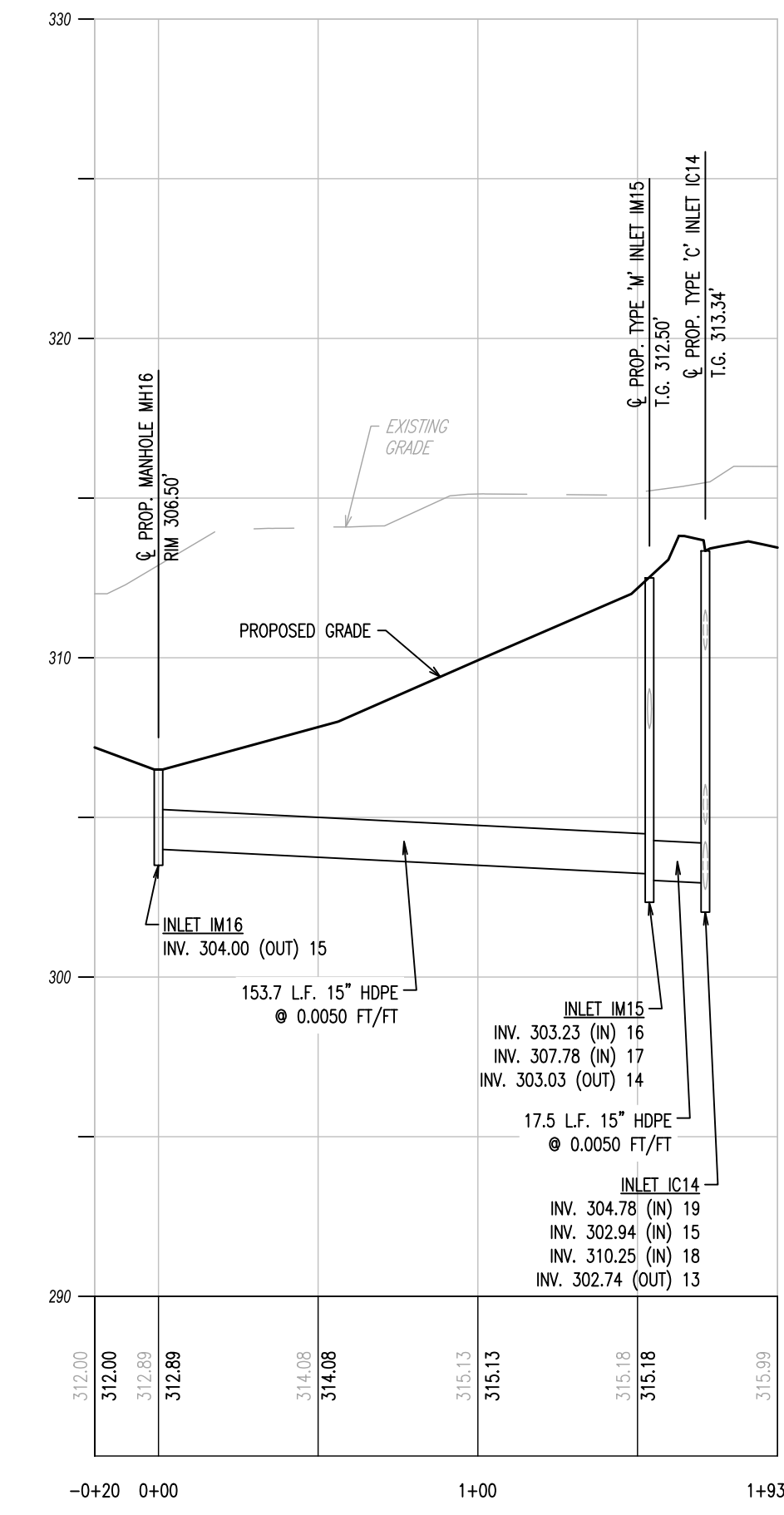
STORM SEWER EW5 - IC6 PROFILE  
HORIZ SCALE: 1"=50'  
VERT SCALE: 1"=5'



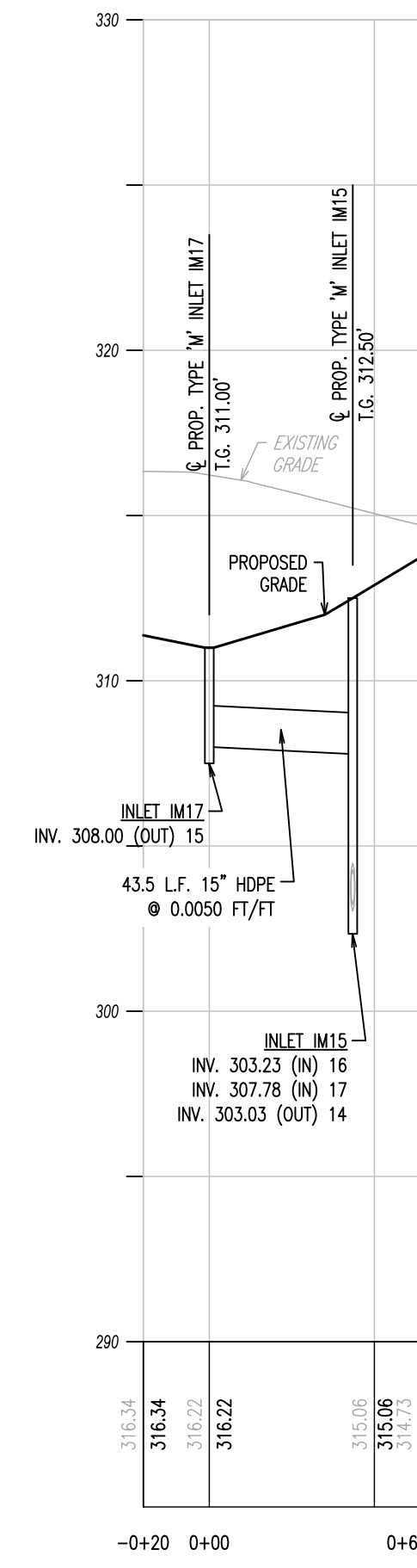
STORM SEWER IC8 - IM9 PROFILE  
HORIZ SCALE: 1"=50'  
VERT SCALE: 1"=5'



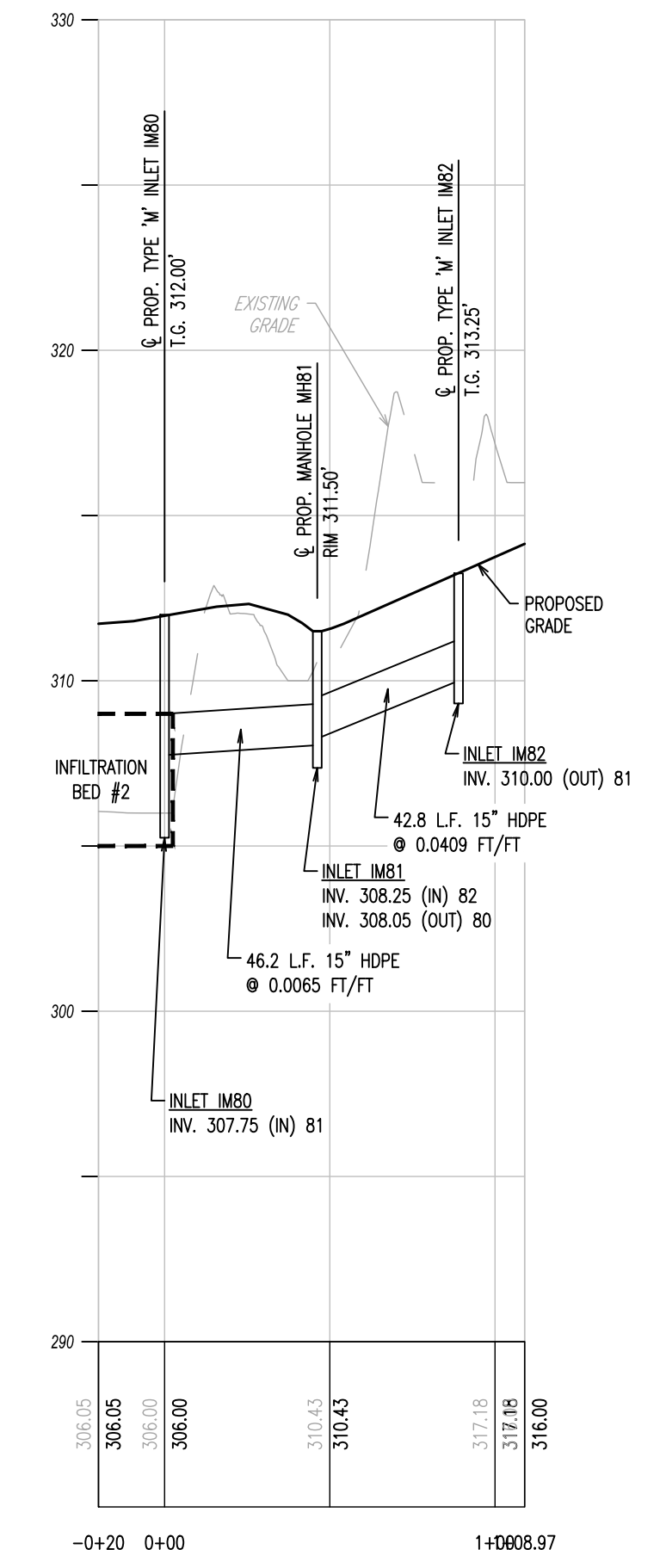
STORM SEWER IC10 - IM12 PROFILE  
HORIZ SCALE: 1"=50'  
VERT SCALE: 1"=5'



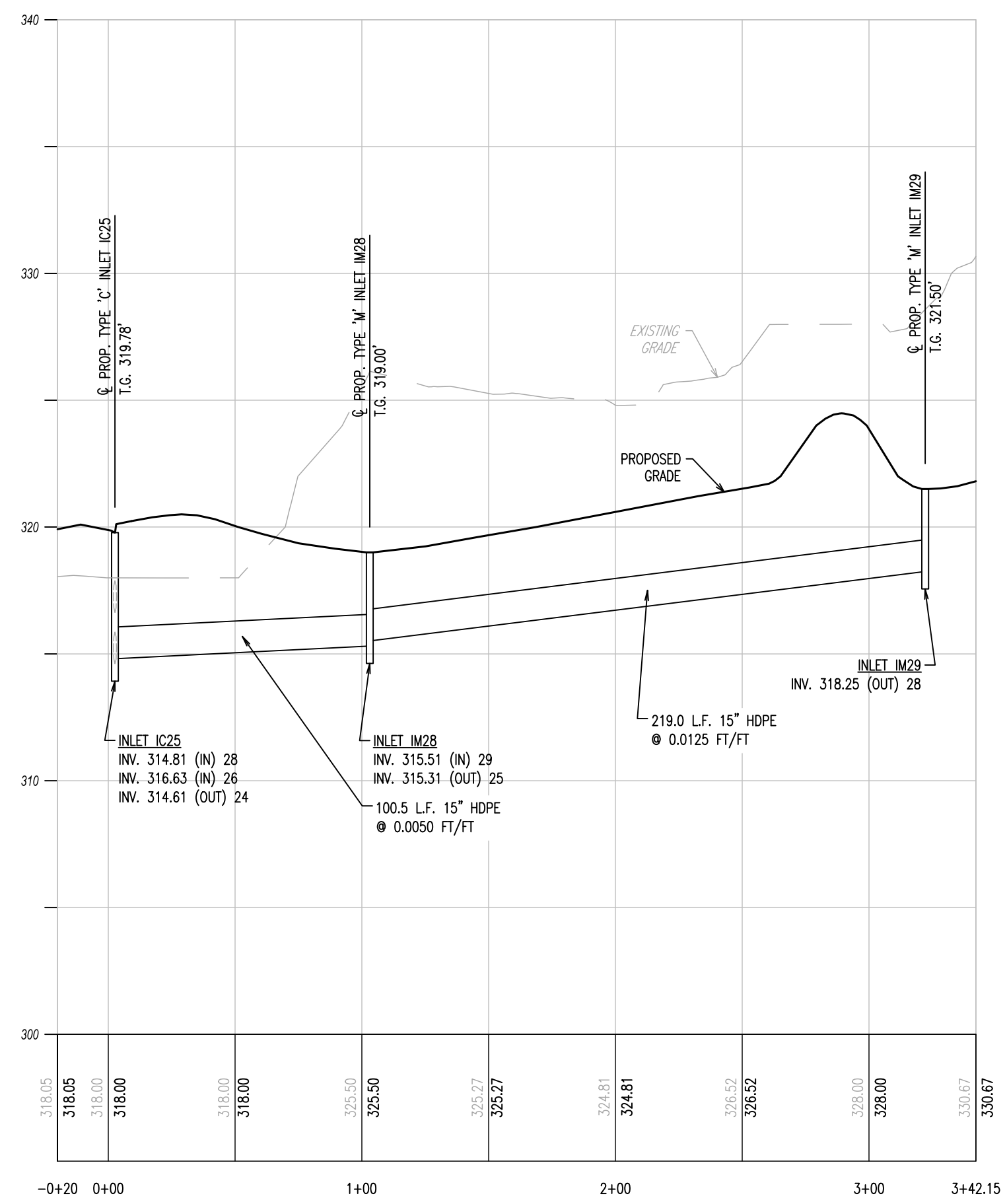
STORM SEWER MH16 - IC14 PROFILE  
HORIZ SCALE: 1"=50'  
VERT SCALE: 1"=5'



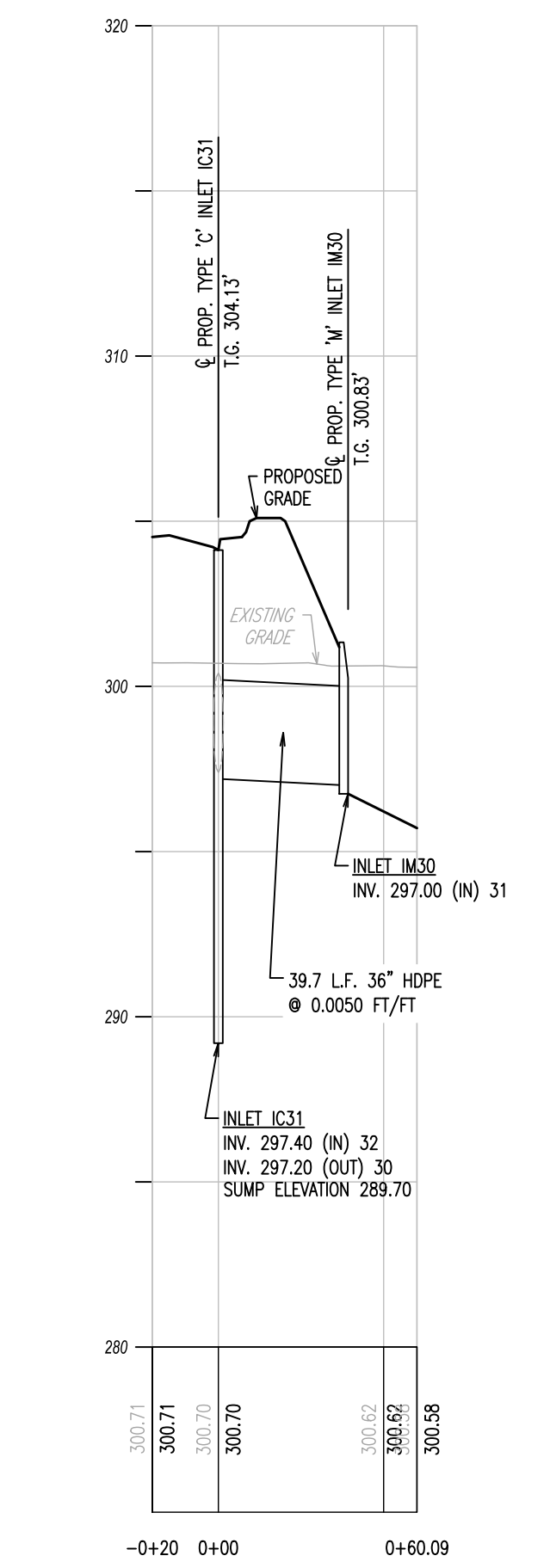
STORM SEWER IM17 - IM15 PROFILE  
HORIZ SCALE: 1"=50'  
VERT SCALE: 1"=5'



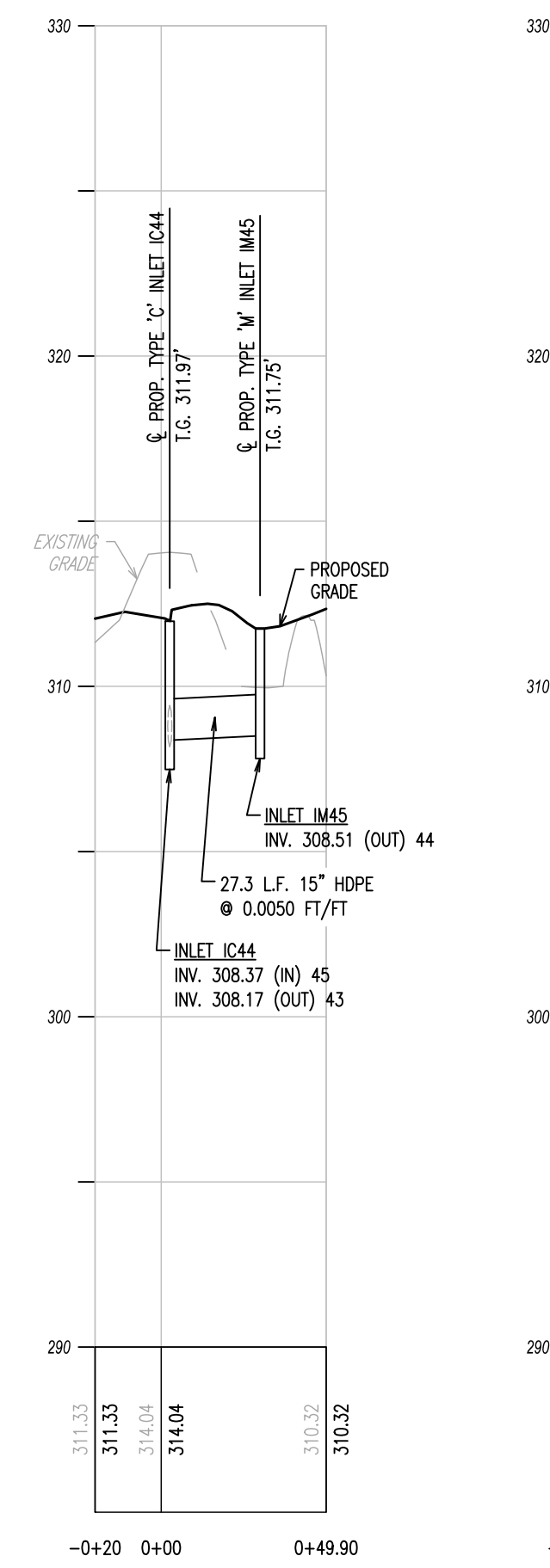
STORM SEWER IM80 - IM82 PROFILE  
HORIZ SCALE: 1"=50'  
VERT SCALE: 1"=5'



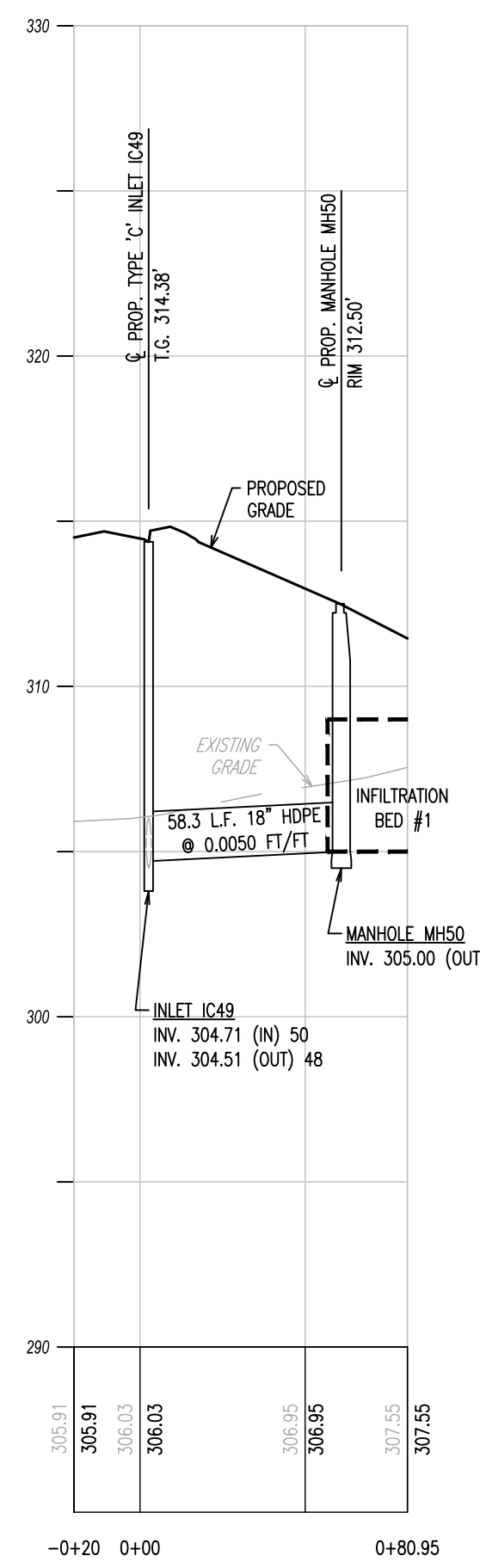
STORM SEWER - IC25 - IM29 PROFILE  
HORIZ SCALE: 1"=50'  
VERT SCALE: 1"=5'



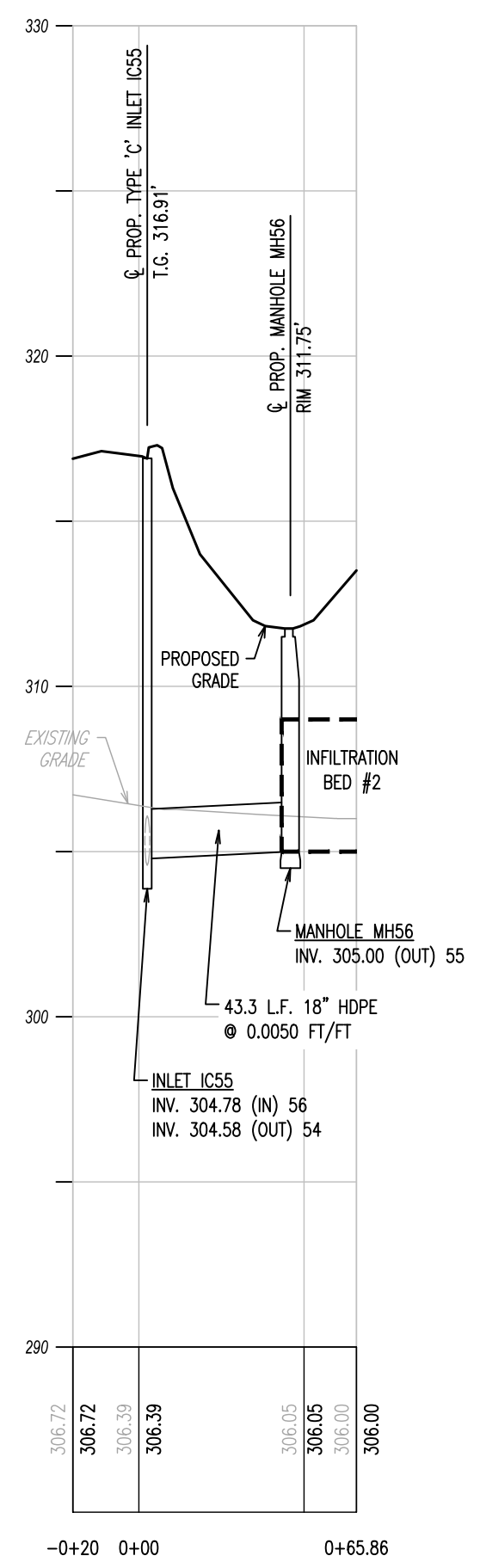
STORM SEWER - IC31 - IM30 PROFILE  
HORIZ SCALE: 1"=50'  
VERT SCALE: 1"=5'



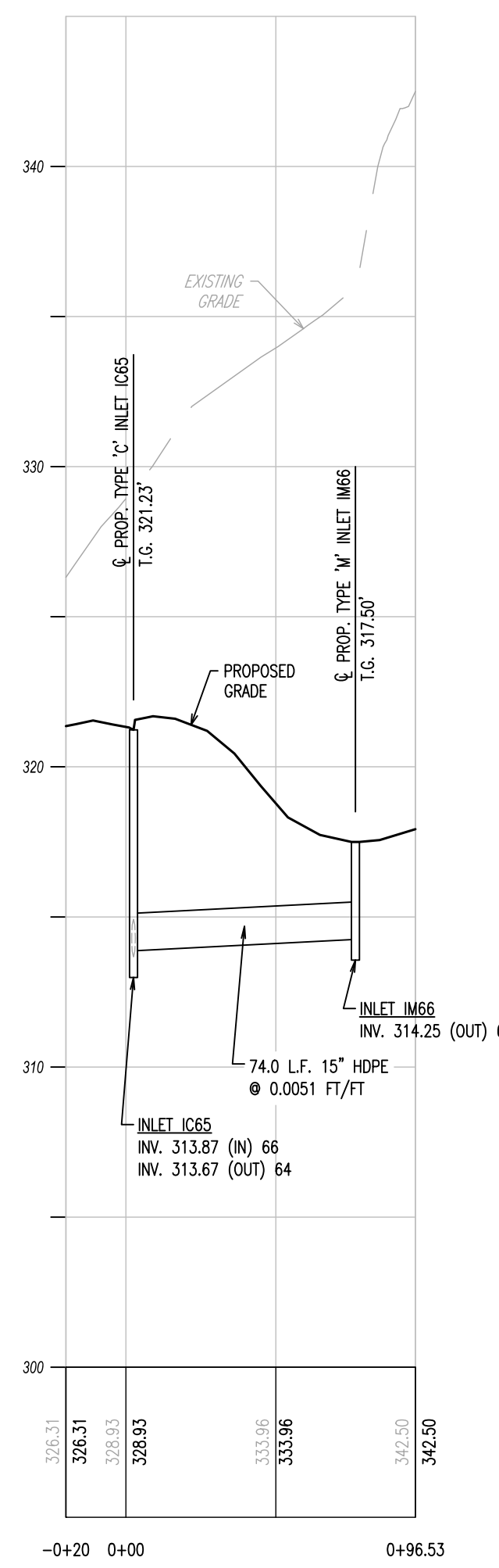
STORM SEWER IC44 - IM45 PROFILE  
HORIZ SCALE: 1"=50'  
VERT SCALE: 1"=5'



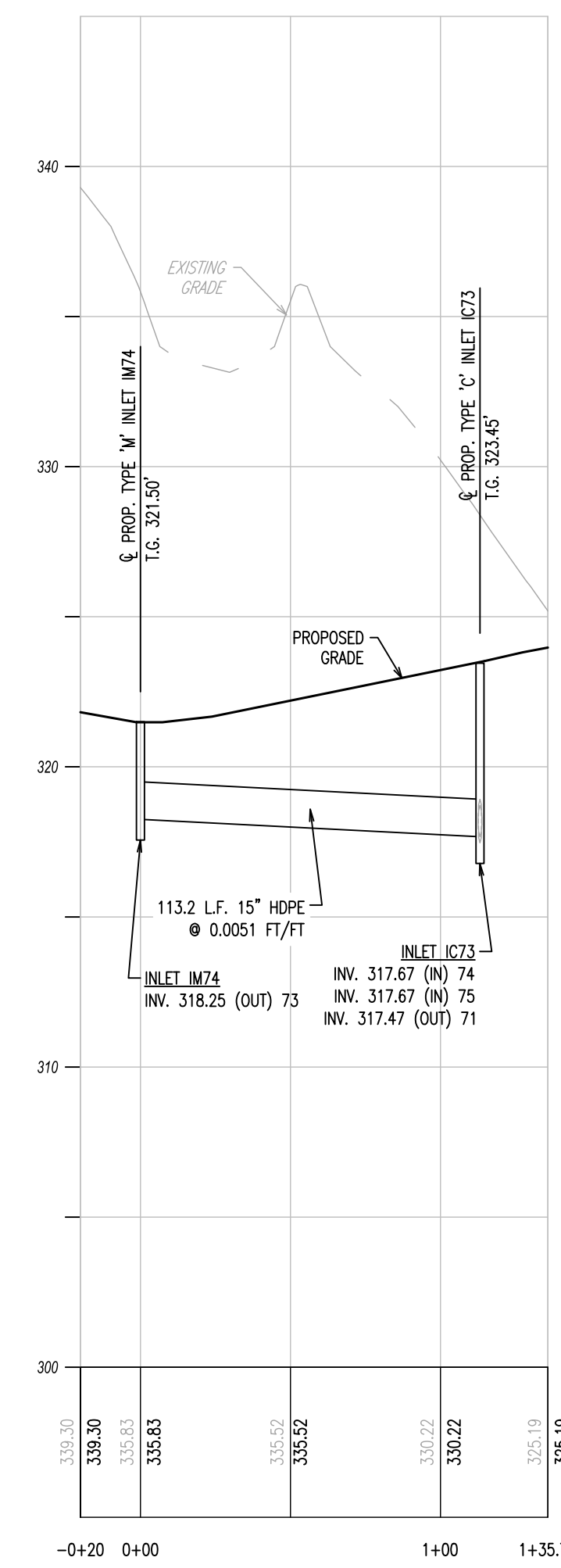
STORM SEWER IC49 - MH50 PROFILE  
HORIZ SCALE: 1"=50'  
VERT SCALE: 1"=5'



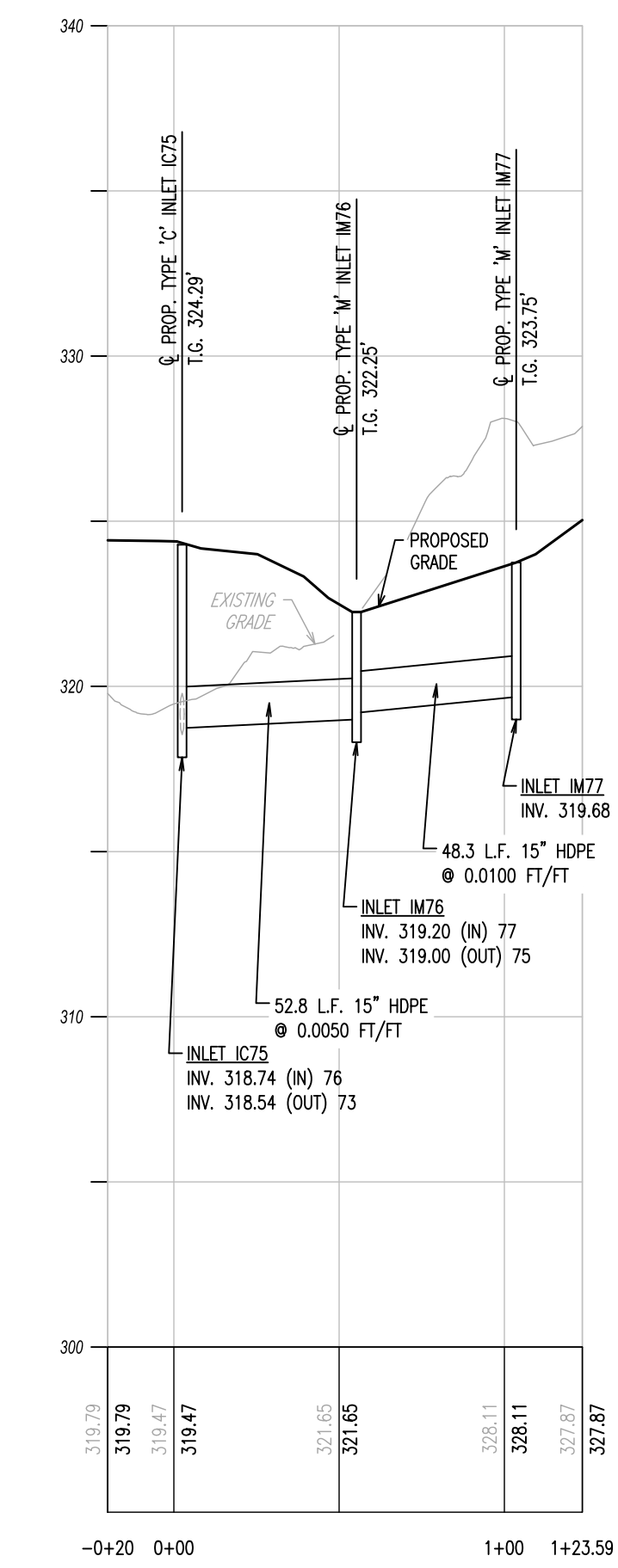
STORM SEWER IC55 - MH56 PROFILE  
HORIZ SCALE: 1"=50'  
VERT SCALE: 1"=5'



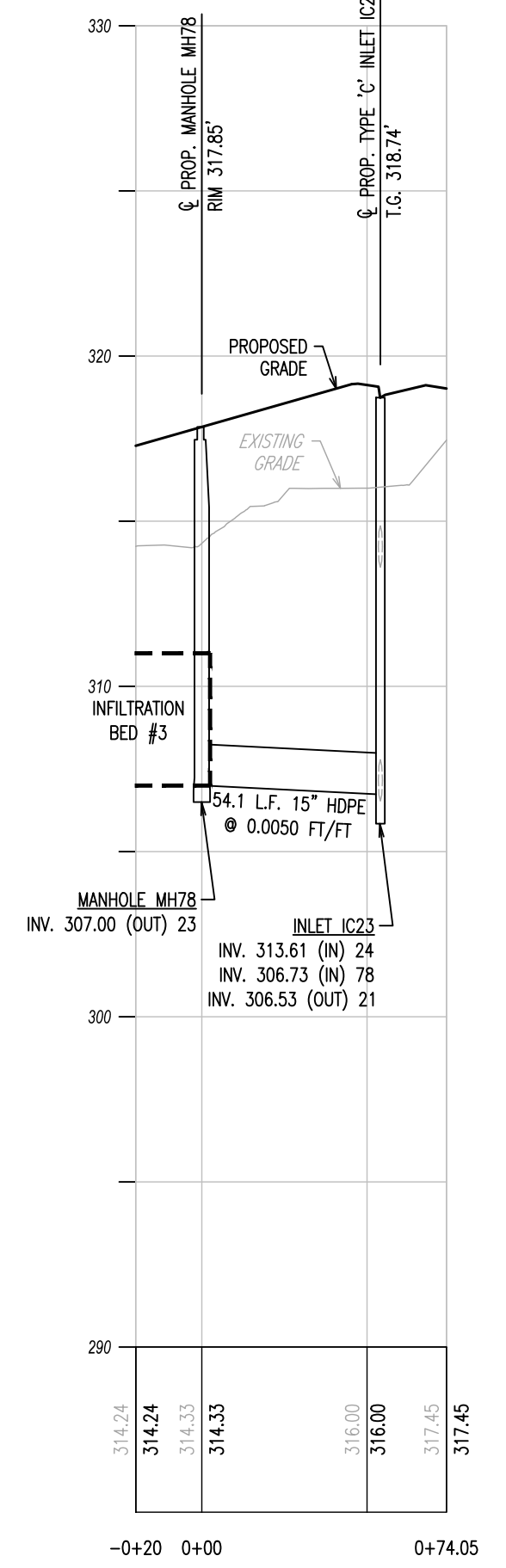
STORM SEWER IC65 - IM66 PROFILE  
HORIZ SCALE: 1"=50'  
VERT SCALE: 1"=5'



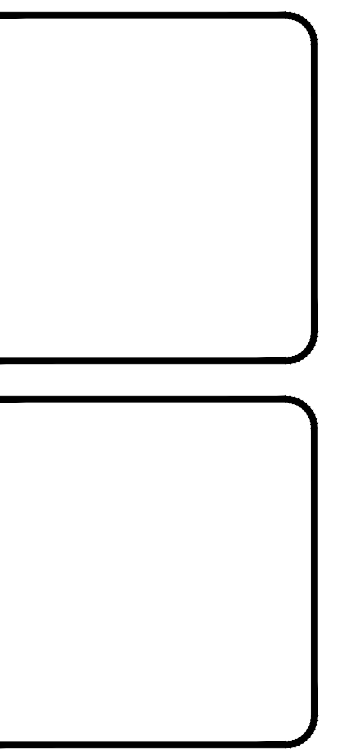
STORM SEWER IM74 - IC73 PROFILE  
HORIZ SCALE: 1"=50'  
VERT SCALE: 1"=5'



STORM SEWER IC75 - IM77 PROFILE  
HORIZ SCALE: 1"=50'  
VERT SCALE: 1"=5'



STORM SEWER MH78 - IC23 PROFILE  
HORIZ SCALE: 1"=50'  
VERT SCALE: 1"=5'



NO.	DATE	DESCRIPTION
1		
2		
3		
4		
5		
6		
7		
8		
9		
10		

NO.	DATE	DESCRIPTION
1		
2		
3		
4		
5		
6		
7		
8		
9		
10		

**PRELIMINARY PROFILE SHEET**

CURB: MITCHELL HOMES  
 PROJECT: SMITH PROPERTY  
 LOCATION: 548 ROSEDALE ROAD  
 KENNETT TOWNSHIP, CHESTER COUNTY, PA

DATE:	04/30/19
SCALE:	AS SHOWN
DRAWN BY:	JTE
CHECKED BY:	JWB
PROJECT NO.:	3388
CAD FILE:	07 Profiles and Details.dwg
PLOTTED:	10/18/19
DRAWING NO.:	C07.3
SHEET:	25 of 31